

## ••••• QuickRAM ESP Combining Performance, Density and Embedded RAM

### Device Highlights

#### High Performance & High Density

- Up to 90,000 usable PLD gates with up to 316 I/Os
- 300 MHz 16-bit counters, 400 MHz datapaths, 160+ MHz FIFOs
- 0.35  $\mu\text{m}$  four-layer metal non-volatile CMOS process

#### High Speed Embedded SRAM

- Up to 22 dual-port RAM modules, organized in user-configurable 1,152 bit blocks
- 5 ns access times, each port independently accessible
- Fast and efficient for FIFO, RAM, and ROM functions

#### Easy to Use/Fast Development Cycles

- 100% routable with 100% utilization and complete pin-out stability
- Variable-grain logic cells provide high performance and 100% utilization
- Comprehensive design tools include high quality Verilog/VHDL synthesis

#### Advanced I/O Capabilities

- Interfaces with 3.3 V and 5.0 V devices
- PCI compliant with 3.3 V and 5.0 V busses for -1/-2/-3/-4 speed grades
- Full JTAG boundary scan
- I/O cells with individually controlled registered input path and output enables

#### Up to 316 I/O Pins

- Up to 308 bi-directional input/output pins, PCI-compliant for 5.0 V and 3.3 V busses for -1/-2/-3/-4 speed grades
- Eight high-drive input/distributed network pins

#### Eight Low-Skew Distributed Networks

- Two array clock/control networks are available to the logic cell flip-flop; clock, set, and reset inputs — each can be driven by an input-only pin
- Six global clock/control networks available to the logic cell; F1, clock, set, and reset inputs and the data input, I/O register clock, reset, and enable inputs as well as the output enable control—each can be driven by an input-only, I/O pin, any logic cell output, or I/O cell feedback

#### High Performance Silicon

- Input + logic cell + output total delays under 6 ns
- Data path speeds over 400 MHz
- Counter speeds over 300 MHz
- FIFO speeds over 160+ MHz

Figure 1: QuickRAM Block Diagram

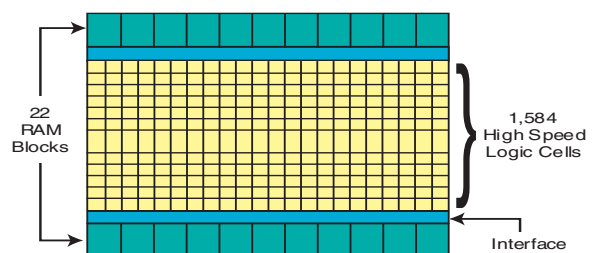


Table 1: QuickRAM Product Family Members

		QL4009	QL4016	QL4036	QL4058	QL4090
Max Gates		44,964	61,820	97,128	131,328	176,608
Logic Array		16 x 16	20 x 16	28 x 24	36 x 28	44 x 36
Logic Cells		160	320	672	1,008	1,584
Max Flip-Flops		242	438	876	1,260	1,900
Max I/O		74	110	196	244	308
RAM Modules		8	10	14	18	22
RAM Bits		9,216	11,520	16,128	20,736	25,334
Packages	PLCC	68/84	84	-	-	-
	TQFP	100	100/144	144	-	-
	PQFP	-	-	208	208/240	208/240
	PBGA	-	-	256	456	456
	CQFP	-	100	-	-	208

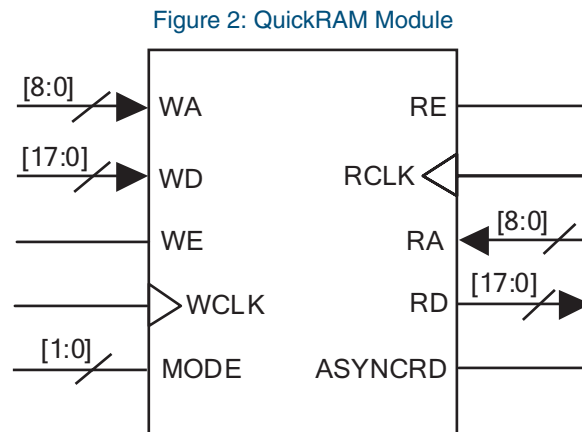
Table 2: Max I/O per Device/Package Combination

Device	68 PLCC	84 PLCC	100 TQFP	144 TQFP	208 PQFP	240 PQFP	256 PBGA	456 PBGA	100 CQFP	208 CQFP
QL4009	46	60	74	-	-	-	-	-	-	-
QL4016	-	60	74	110	-	-	-	-	74	-
QL4036	-	-	-	110	166	-	196	-	-	-
QL4058	-	-	-	-	166	194	-	244	-	-
QL4090	-	-	-	-	166	194	-	308	-	166

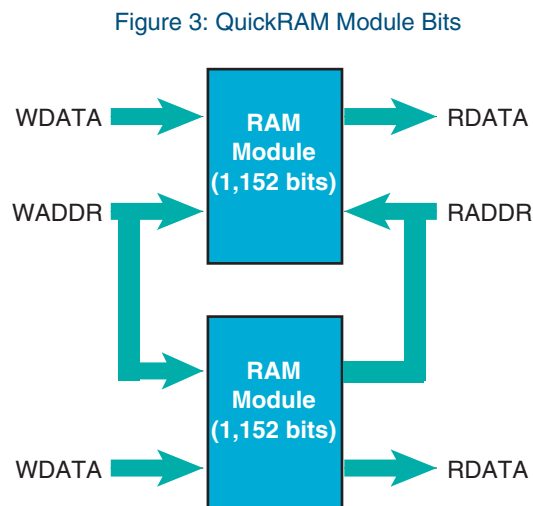
## Architecture Overview

The QuickRAM™ family of Embedded Standard Products (ESP) offer FPGA logic in combination with Dual-Port SRAM modules. The QuickRAM family of ESPs have up to 90,000 usable PLD gates. QuickRAM ESPs are fabricated on a 0.35  $\mu\text{m}$  four-layer metal process using QuickLogic's patented ViaLink™ technology to provide a unique combination of high performance, high density, low cost, and extreme ease-of-use.

The QuickRAM family contains a range of 160 to 1,584 logic cells and 8 to 22 dual port RAM Modules (see **Figure 1**). Each RAM Module has 1,152 RAM bits, for a total ranging from 9,216 to 25,344 bits (see **Table 1**). RAM Modules are dual port (one read port, one write port) and can be configured into one of four modes: 64 (deep) x18 (wide), 128x9, 256x4, or 512x2 (see **Figure 2**). With a maximum of 308 I/Os, the QuickRAM family of ESPs are available in many device/package combinations (see **Table 2**).



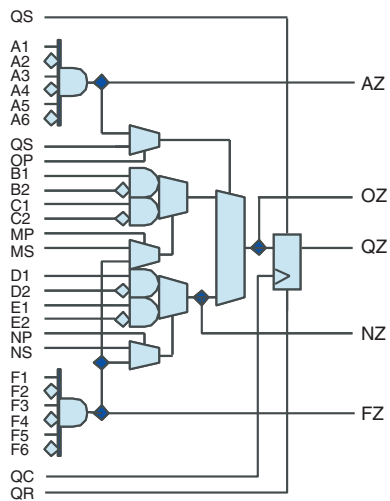
Designers can cascade multiple RAM Modules to increase the depth or width allowed in single modules by connecting corresponding address lines together and dividing the words between modules (see **Figure 3**). This approach allows up to 512-deep configurations as large as 16 bits wide in the smallest QuickRAM device and 44 bits wide in the largest device.



Software support for the complete QuickRAM family is available through two basic packages. The turnkey QuickWorks™ package provides the most complete ESP software solution from design entry to logic synthesis, to place and route, to simulation. The QuickTools™ packages provides a solution for designers who use Cadence, Exemplar, Mentor, Synopsys, Synplicity, Viewlogic, Aldec, or other third-party tools for design entry, synthesis, or simulation.

The QuickLogic variable grain logic cell features up to 16 simultaneous inputs and 5 outputs within a cell that can be fragmented into 5 independent cells. Each cell has a fan-in of 29 including register and control lines (see **Figure 4**).

Figure 4: QuickRAM Logic Cell



## Electrical Specifications

### AC Characteristics at $V_{CC} = 3.3\text{ V}$ , $T_A = 25^\circ\text{ C}$ ( $K = 1.00$ )

To calculate delays, multiply the appropriate K factor from **Table 12** by the numbers provided in **Table 3** through **Table 10**.

Table 3: Logic Cell

Symbol	Parameter	Propagation Delays (ns) Fanout				
		1	2	3	4	5
$t_{PD}$	Combinatorial Delay <sup>a</sup>	1.4	1.7	1.9	2.2	3.2
$t_{SU}$	Setup Time <sup>a</sup>	1.7	1.7	1.7	1.7	1.7
$t_H$	Hold Time	0.0	0.0	0.0	0.0	0.0
$t_{CLK}$	Clock to Q Delay	0.7	1.0	1.2	1.5	2.5
$t_{CWHI}$	Clock High Time	1.2	1.2	1.2	1.2	1.2
$t_{CWLO}$	Clock Low Time	1.2	1.2	1.2	1.2	1.2
$t_{SET}$	Set Delay	1.0	1.3	1.5	1.8	2.8
$t_{RESET}$	Reset Delay	0.8	1.1	1.3	1.6	2.6
$t_{SW}$	Set Width	1.9	1.9	1.9	1.9	1.9
$t_{RW}$	Reset Width	1.8	1.8	1.8	1.8	1.8

a. These limits are derived from a representative selection of the slowest paths through the QuickRAM logic cell including typical net delays. Worst case delay values for specific paths should be determined from timing analysis of your particular design.

Table 4: RAM Cell Synchronous Write Timing

Symbol	Parameter	Propagation Delays (ns) Fanout				
		1	2	3	4	5
$t_{SWA}$	WA Setup Time to WCLK	1.0	1.0	1.0	1.0	1.0
$t_{HWA}$	WA Hold Time to WCLK	0.0	0.0	0.0	0.0	0.0
$t_{SWD}$	WD Setup Time to WCLK	1.0	1.0	1.0	1.0	1.0
$t_{HWD}$	WD Hold Time to WCLK	0.0	0.0	0.0	0.0	0.0
$t_{SWE}$	WE Setup Time to WCLK	1.0	1.0	1.0	1.0	1.0
$t_{HWE}$	WE Hold Time to WCLK	0.0	0.0	0.0	0.0	0.0
$t_{WCRD}$	WCLK to RD (WA=RA) <sup>a</sup>	5.0	5.3	5.6	5.9	7.1

a. Stated timing for worst case Propagation Delay over process variation at  $V_{CC} = 3.3\text{ V}$  and  $T_A = 25^\circ\text{ C}$ . Multiply by the appropriate Delay Factor, K, for speed grade, voltage and temperature settings as specified in the Operating Range.

Table 5: RAM Cell Synchronous Read Timing

Symbol	Parameter	Propagation Delays (ns) Fanout				
		1	2	3	4	5
$t_{SRA}$	RA Setup Time to RCLK	1.0	1.0	1.0	1.0	1.0
$t_{HRA}$	RA Hold Time to RCLK	0.0	0.0	0.0	0.0	0.0
$t_{SRE}$	RE Setup Time to RCLK	1.0	1.0	1.0	1.0	1.0
$t_{HRE}$	RE Hold Time to RCLK	0.0	0.0	0.0	0.0	0.0
$t_{RCRD}$	RCLK to RD <sup>a</sup>	4.0	4.3	4.6	4.9	6.1

a. Stated timing for worst case Propagation Delay over process variation at  $V_{CC} = 3.3$  V and  $T_A = 25^{\circ}\text{C}$ . Multiply by the appropriate Delay Factor, K, for speed grade, voltage and temperature settings as specified in the Operating Range.

Table 6: RAM Cell Asynchronous Read Timing

Symbol	Parameter	Propagation Delays (ns) Fanout				
		1	2	3	4	5
RPDRD	RA to RD <sup>a</sup>	3.0	3.3	3.6	3.9	5.1

a. Stated timing for worst case Propagation Delay over process variation at  $V_{CC} = 3.3$  V and  $T_A = 25^{\circ}\text{C}$ . Multiply by the appropriate Delay Factor, K, for speed grade, voltage and temperature settings as specified in the Operating Range.

Table 7: Input-Only/Clock Cells

Symbol	Parameter	Propagation Delays (ns) Fanout <sup>a</sup>						
		1	2	3	4	8	12	24
$t_{IN}$	High Drive Input Delay	1.5	1.6	1.8	1.9	2.4	2.9	4.4
$t_{INI}$	High Drive Input, Inverting Delay	1.6	1.7	1.9	2.0	2.5	3.0	4.5
$t_{ISU}$	Input Register Set-Up Time	3.1	3.1	3.1	3.1	3.1	3.1	3.1
$t_{IH}$	Input Register Hold Time	0.0	0.0	0.0	0.0	0.0	0.0	0.0
$t_{iCLK}$	Input Register Clock To Q	0.7	0.8	1.0	1.1	1.6	2.1	3.6
$t_{IRST}$	Input Register Reset Delay	0.6	0.7	0.9	1.0	1.5	2.0	3.5
$t_{IESU}$	Input Register Clock Enable Setup Time	2.3	2.3	2.3	2.3	2.3	2.3	2.3
$t_{IEH}$	Input Register Clock Enable Hold Time	0.0	0.0	0.0	0.0	0.0	0.0	0.0

a. Stated timing for worst case Propagation Delay over process variation at  $V_{CC} = 3.3$  V and  $T_A = 25^{\circ}\text{C}$ . Multiply by the appropriate Delay Factor, K, for speed grade, voltage and temperature settings as specified in [Table 12](#).

Table 8: Clock Cells

Symbol	Parameter	Propagation Delays (ns) Fanout <sup>a</sup>						
		1	2	3	4	8	10	11
$t_{ACK}$	Array Clock Delay	1.2	1.2	1.3	1.3	1.5	1.6	1.7
$t_{GCKP}$	Global Clock Pin Delay	0.7	0.7	0.7	0.7	0.7	0.7	0.7
$t_{GCKB}$	Global Clock Buffer Delay	0.8	0.8	0.9	0.9	1.1	1.2	1.3

a. The array distributed networks consist of 40 half columns and the global distributed networks consist of 44 half columns, each driven by an independent buffer. The number of half columns used does not affect clock buffer delay. The array clock has up to 8 loads per half column. The global clock has up to 11 loads per half column.

Table 9: I/O Cell Input Delays

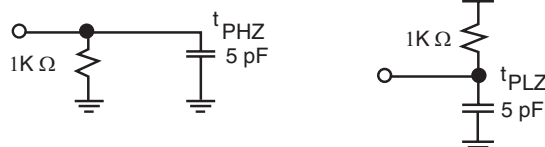
Symbol	Parameter	Propagation Delays (ns) Fanout <sup>a</sup>						
		1	2	3	4	8	10	
$t_{I/O}$	Input Delay (bidirectional pad)	1.3	1.6	1.8	2.1	3.1	3.6	
$t_{ISU}$	Input Register Set-Up Time	3.1	3.1	3.1	3.1	3.1	3.1	
$t_{IH}$	Input Register Hold Time	0.0	0.0	0.0	0.0	0.0	0.0	
$t_{IOCLK}$	Input Register Clock to Q	0.7	1.0	1.2	1.5	2.5	3.0	
$t_{IORST}$	Input Register Reset Delay	0.6	0.9	1.1	1.4	2.4	2.9	
$t_{IESU}$	Input Register Clock Enable Set-Up Time	2.3	2.3	2.3	2.3	2.3	2.3	
$t_{IEH}$	Input Register Clock Enable Hold Time	0.0	0.0	0.0	0.0	0.0	0.0	

a. Stated timing for worst case Propagation Delay over process variation at  $V_{CC} = 3.3$  V and  $T_A = 25^\circ\text{C}$ . Multiply by the appropriate Delay Factor, K, for speed grade, voltage and temperature settings as specified in the Operating Range.

Table 10: I/O Cell Output Delays

Symbol	Parameter	Propagation Delays (ns) Output Load Capacitance (pF)				
		3	50	75	100	150
$t_{OUTLH}$	Output Delay Low to High	2.1	2.5	3.1	3.6	4.7
$t_{OUTHL}$	Output Delay High to Low	2.2	2.6	3.2	3.7	4.8
$t_{PZH}$	Output Delay Tri-state to High	1.2	1.7	2.2	2.8	3.9
$t_{PZL}$	Output Delay Tri-state to Low	1.6	2.0	2.6	3.1	4.2
$t_{PHZ}$	Output Delay High to Tri-state <sup>a</sup>	2.0	-	-	-	-
$t_{PLZ}$	Output Delay High to Tri-state <sup>a</sup>	1.2	-	-	-	-

a. The loads presented in **Figure 5** are used for  $t_{PXZ}$ :

Figure 5: Loads used for  $t_{PXZ}$ 

## DC Characteristics

The DC specifications are provided in **Table 11** through **Table 13**.

Table 11: Absolute Maximum Ratings

Parameter	Value	Parameter	Value
V <sub>CC</sub> Voltage	-0.5 to 4.6 V	DC Input Current	±20 mA
V <sub>CCIO</sub> Voltage	-0.5 to 7.0 V	ESD Pad Protection	±2000 V
Input Voltage	-0.5 V to V <sub>CCIO</sub> +0.5 V	Storage Temperature	-65° C to +150° C
Latch-up Immunity	±200 mA	Lead Temperature	300° C

Table 12: Operating Range

Symbol	Parameter	Military		Industrial		Commercial		Unit	
		Min.	Max.	Min.	Max.	Min.	Max.		
V <sub>CC</sub>	Supply Voltage	3.0	3.6	3.0	3.6	3.0	3.6	V	
V <sub>CCIO</sub>	I/O Input Tolerance Voltage	3.0	5.5	3.0	5.5	3.0	5.25	V	
T <sub>A</sub>	Ambient Temperature	-55	-	-40	85	0	70	°C	
T <sub>C</sub>	Case Temperature	-	125	-	-	-	-	°C	
K	Delay Factor	-0 Speed Grade	0.42	2.03	0.43	1.90	0.46	1.85	n/a
		-1 Speed Grade	0.42	1.64	0.43	1.54	0.46	1.50	n/a
		-2 Speed Grade	0.42	1.37	0.43	1.28	0.46	1.25	n/a
		-3 Speed Grade			0.43	0.90	0.46	0.88	n/a
		-4 Speed Grade			0.43	0.82	0.46	0.80	n/a

Table 13: DC Characteristics

Symbol	Parameter	Conditions	Min.	Max.	Units
V <sub>IH</sub>	Input HIGH Voltage		0.5 V <sub>CC</sub>	V <sub>CCIO</sub> + 0.5	V
V <sub>IL</sub>	Input LOW Voltage		-0.5	0.3 V <sub>CC</sub>	V
V <sub>OH</sub>	Output HIGH Voltage	I <sub>OH</sub> = -12 mA	2.4	V <sub>CC</sub>	V
		I <sub>OH</sub> = -500 μA	0.9 V <sub>CC</sub>	V <sub>CC</sub>	V
V <sub>OL</sub>	Output LOW Voltage	I <sub>OL</sub> = 16 mA <sup>a</sup>		0.45	V
		I <sub>OL</sub> = 1.5 mA		0.1 V <sub>CC</sub>	V
I <sub>I</sub>	I or I/O Input Leakage Current	V <sub>I</sub> = V <sub>CCIO</sub> or GND	-10	10	μA
I <sub>OZ</sub>	3-State Output Leakage Current	V <sub>I</sub> = V <sub>CCIO</sub> or GND	-10	10	μA
C <sub>I</sub>	Input Capacitance <sup>b</sup>			10	pF
I <sub>OS</sub>	Output Short Circuit Current <sup>c</sup>	V <sub>O</sub> = GND	-15	-180	mA
		V <sub>O</sub> = V <sub>CC</sub>	40	210	mA
I <sub>CC</sub>	D.C. Supply Current <sup>d</sup>	V <sub>I</sub> , V <sub>IO</sub> = V <sub>CCIO</sub> or GND	0.50 (typ)	2	mA
I <sub>CCIO</sub>	D.C. Supply Current on V <sub>CCIO</sub>		0	100	μA

a. Applies only to -1/-2/-3/-4 commercial grade devices. These speed grades are also PCI-compliant. All other devices have 8 mA IOL specifications.

b. Capacitance is sample tested only. Clock pins are 12 pF maximum.

c. Only one output at a time. Duration should not exceed 30 seconds.

d. For -1/-2/-3/-4 commercial grade devices only. Maximum I<sub>CC</sub> is 3 mA for -0 commercial grade and all industrial grade devices. and 5 mA for all military grade devices. For AC conditions, contact QuickLogic customer applications group.

## Kv and Kt Graphs

Figure 6: Voltage Factor vs. Supply Voltage

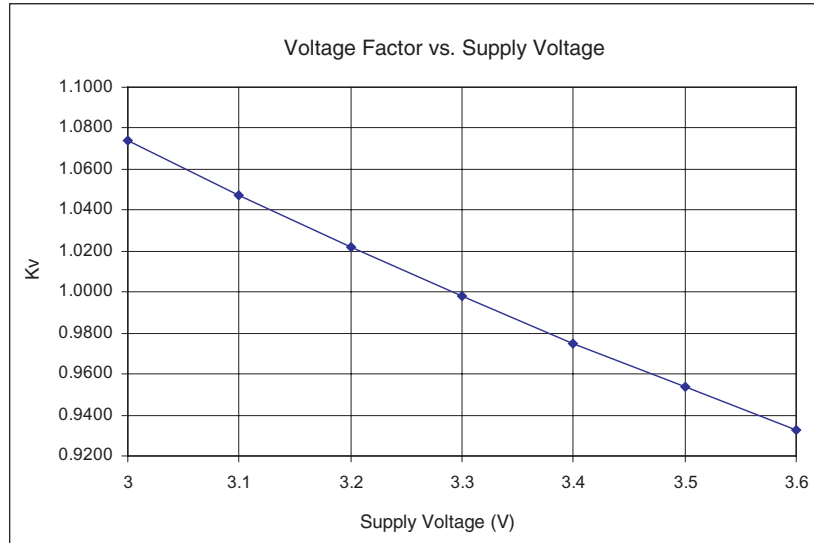
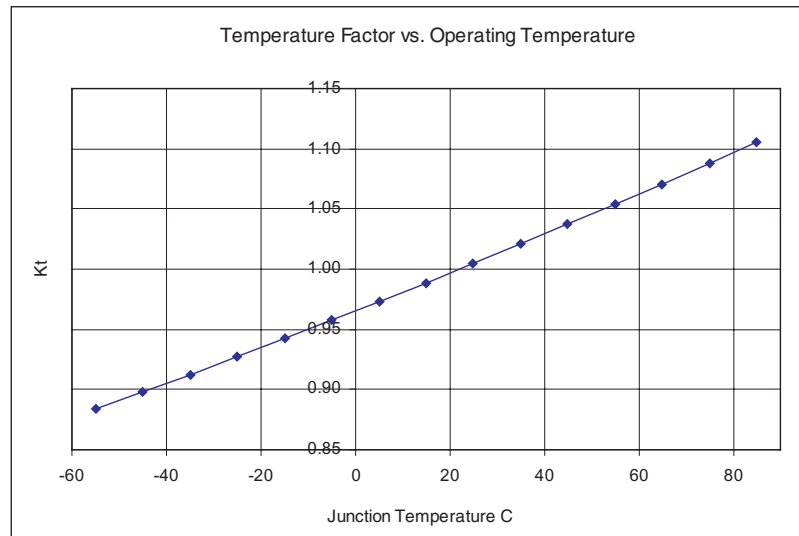
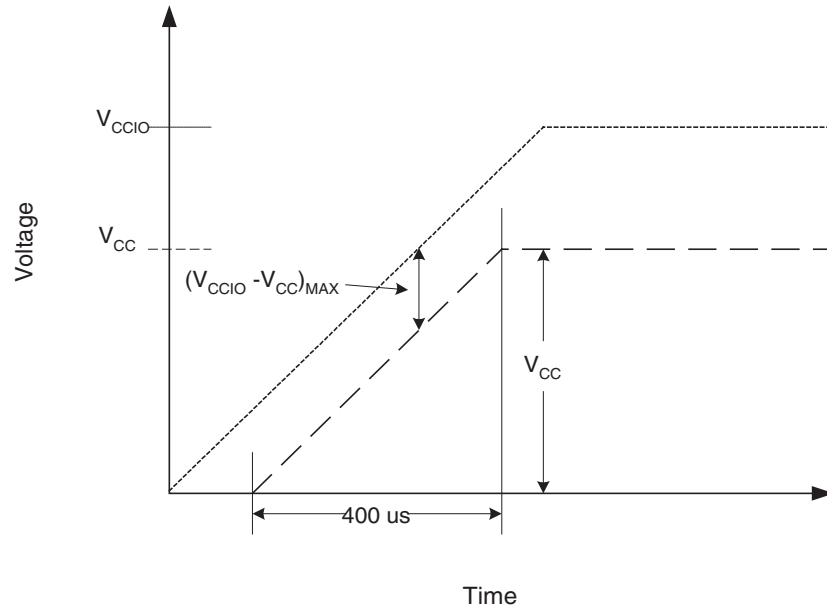


Figure 7: Temperature Factor vs. Operating Temperature



## Power-Up Sequencing

Figure 8: Power-Up Requirements



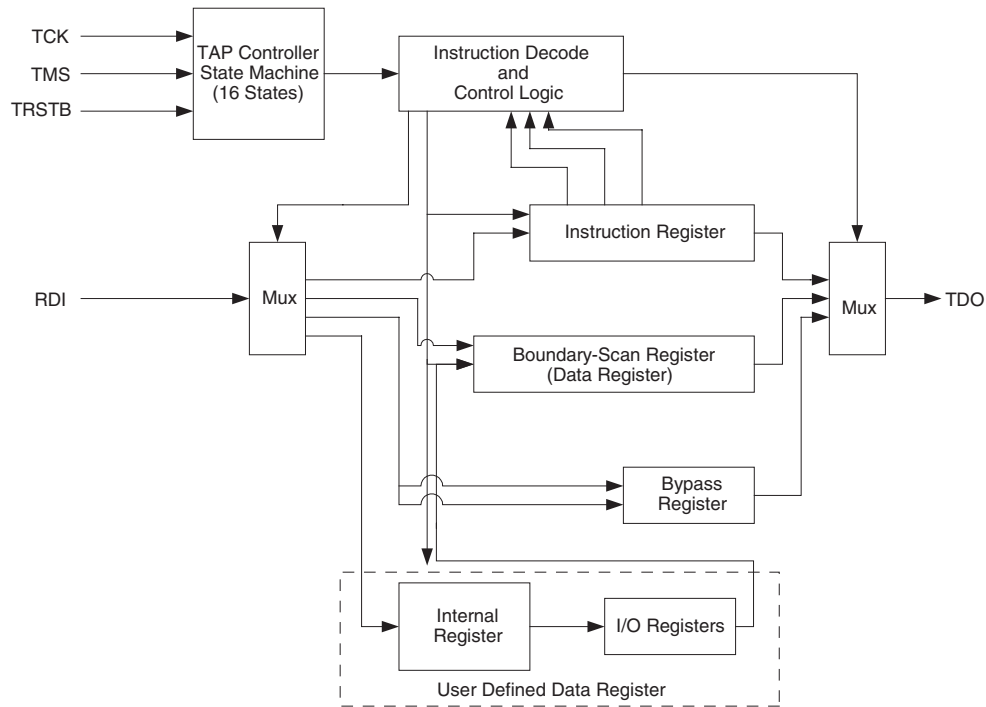
When powering up a device, the  $V_{CC}/V_{CCIO}$  rails must take 400  $\mu\text{s}$  or longer to reach the maximum value (refer to **Figure 7**).

**NOTE:** Ramping  $V_{CC}/V_{CCIO}$  to the maximum voltage faster than 400  $\mu\text{s}$  can cause the device to behave improperly.

For users with a limited power budget, keep  $(V_{CCIO} - V_{CC})_{MAX} \leq 500 \text{ mV}$  when ramping up the power supply.

## JTAG

Figure 9: JTAG Block Diagram



Microprocessors and Application Specific Integrated Circuits (ASICs) pose many design challenges, not the least of which concerns the accessibility of test points. The Joint Test Access Group (JTAG) formed in response to this challenge, resulting in IEEE standard 1149.1, the Standard Test Access Port and Boundary Scan Architecture.

The JTAG boundary scan test methodology allows complete observation and control of the boundary pins of a JTAG-compatible device through JTAG software. A Test Access Port (TAP) controller works in concert with the Instruction Register (IR); these allow users to run three required tests, along with several user-defined tests.

JTAG tests allow users to reduce system debug time, reuse test platforms and tools, and reuse subsystem tests for fuller verification of higher level system elements.

The 1149.1 standard requires the following three tests:

- Exttest Instruction.** The Exttest Instruction performs a Printed Circuit Board (PCB) interconnect test. This test places a device into an external boundary test mode, selecting the boundary scan register to be connected between the TAP Test Data In (TDI) and Test Data Out (TDO) pins. Boundary scan cells are preloaded with test patterns (via the Sample/Preload Instruction), and input boundary cells capture the input data for analysis.
- Sample/Preload Instruction.** The Sample/Preload Instruction allows a device to remain in its functional mode, while selecting the boundary scan register to be connected between the TDI and TDO pins. For this test, the boundary scan register can be accessed via a data scan operation, allowing users to sample the functional data entering and leaving the device.

- **Bypass Instruction.** The Bypass Instruction allows data to skip a device boundary scan entirely, so the data passes through the bypass register. The Bypass instruction allows users to test a device without passing through other devices. The bypass register is connected between the TDI and TDO pins, allowing serial data to be transferred through a device without affecting the operation of the device.

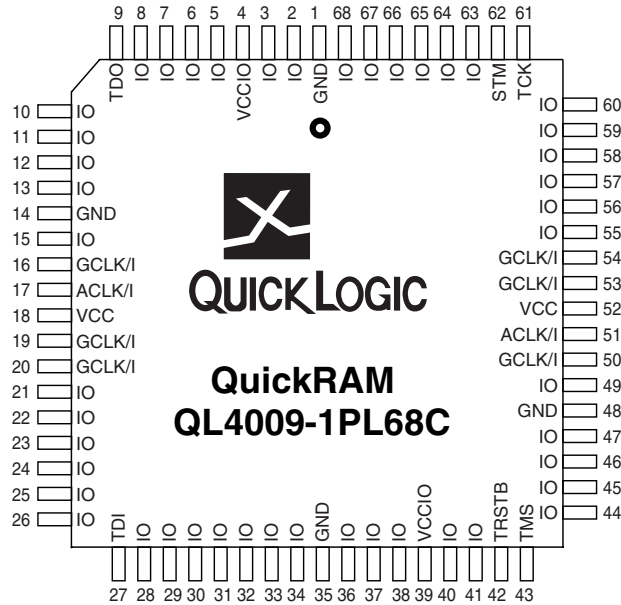
## Pin Descriptions

Table 14: Pin Descriptions

Pin	Function	Description
TDI/RSI	Test Data In for JTAG /RAM init. Serial Data In	Hold HIGH during normal operation. Connects to serial PROM data in for RAM initialization. Connect to $V_{CC}$ if unused.
TRSTB/RRO	Active low Reset for JTAG /RAM init. reset out	Hold LOW during normal operation. Connects to serial PROM reset for RAM initialization. Connect to GND if unused.
TMS	Test Mode Select for JTAG	Hold HIGH during normal operation. Connect to $V_{CC}$ if not used for JTAG.
TCK	Test Clock for JTAG	Hold HIGH or LOW during normal operation. Connect to $V_{CC}$ or ground if not used for JTAG.
TDO/RCO	Test data out for JTAG /RAM init. clock out	Connect to serial PROM clock for RAM initialization. Must be left unconnected if not used for JTAG or RAM initialization.
STM	Special Test Mode	Must be grounded during normal operation.
I/ACLK	High-drive input and/or array network driver	Can be configured as either or both.
I/GCLK	High-drive input and/or global network driver	Can be configured as either or both.
I	High-drive input	Use for input signals with high fanout.
I/O	Input/Output pin	Can be configured as an input and/or output.
$V_{CC}$	Power supply pin	Connect to 3.3 V supply.
$V_{CCIO}$	Input voltage tolerance pin	Connect to 5.0 V supply if 5 V input tolerance is required, otherwise connect to 3.3 V supply.
GND	Ground pin	Connect to ground.
GND/THERM	Ground/Thermal pin	Available on 456-PBGA only. Connect to ground plane on PCB if heat sinking desired. Otherwise may be left unconnected.

## QL4009 – 68 PLCC Pinout Diagram

Figure 10: QL4009 – 68 Pin PLCC (Top View)



## QL4009 – 68 PLCC Pinout Table

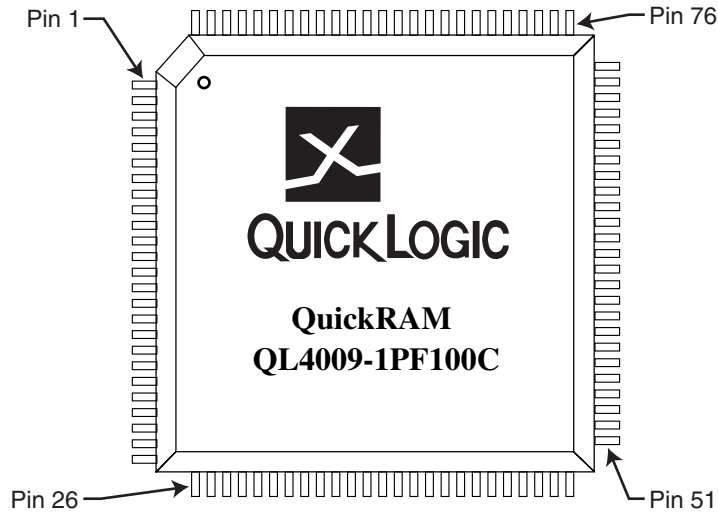
Table 15: QL4009 – 68 PLCC Pinout Table

68 PLCC	Function	68 PLCC	Function	68 PLCC	Function	68 PLCC	Function
1	GND	18	VCC	35	GND	52	VCC
2	I/O	19	GCLK/I	36	I/O	53	GCLK/I
3	I/O	20	GCLK/I	37	I/O	54	GCLK/I
4	VCCIO	21	I/O	38	I/O	55	I/O
5	I/O	22	I/O	39	VCCIO	56	I/O
6	I/O	23	I/O	40	I/O	57	I/O
7	I/O	24	I/O	41	I/O	58	I/O
8	I/O	25	I/O	42	TRSTB	58	I/O
9	TDO	26	I/O	43	TMS	60	I/O
10	I/O	27	TDI	44	I/O	61	TCK
11	I/O	28	I/O	45	I/O	62	STM
12	I/O	29	I/O	46	I/O	63	I/O
13	I/O	30	I/O	47	I/O	64	I/O
14	GND	31	I/O	48	GND	65	I/O
15	I/O	32	I/O	49	I/O	66	I/O
16	GCLK/I	33	I/O	50	GCLK/I	67	I/O
17	ACLK/I	34	I/O	51	ACLK/I	68	I/O



## QL4009 – 100 TQFP Pinout Diagram

Figure 12: QL4009 – 100 Pin TQFP (Top View)



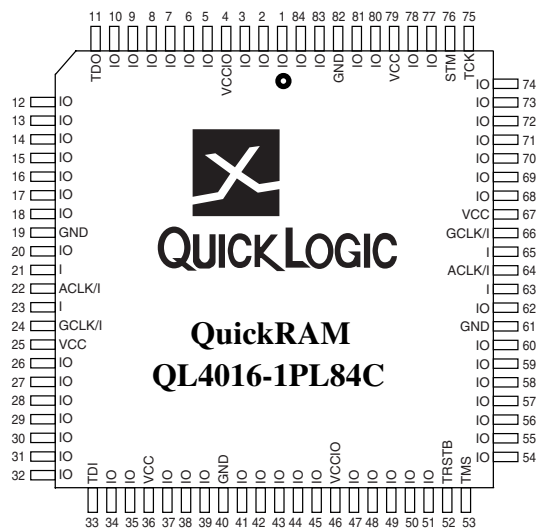
## QL4009 – 100 TQFP Pinout Table

Table 17: QL4009 – 100 TQFP Pinout Table

100TQFP	Function	100TQFP	Function	100TQFP	Function	100TQFP	Function
1	I/O	26	TDI	51	I/O	76	TCK
2	I/O	27	I/O	52	I/O	77	STM
3	I/O	28	I/O	53	I/O	78	I/O
4	I/O	29	I/O	54	I/O	79	I/O
5	I/O	30	I/O	55	I/O	80	I/O
6	I/O	31	I/O	56	I/O	81	I/O
7	I/O	32	I/O	57	I/O	82	I/O
8	I/O	33	I/O	58	I/O	83	I/O
9	GND	34	I/O	59	GND	84	I/O
10	I/O	35	GND	60	I/O	85	GND
11	I	36	I/O	61	I	86	I/O
12	ACLK/I	37	I/O	62	ACLK/I	87	I/O
13	VCC	38	GND	63	VCC	88	GND
14	I	39	I/O	64	I	89	I/O
15	GCLK/I	40	I/O	65	GCLK/I	90	I/O
16	VCC	41	I/O	66	VCC	91	I/O
17	I/O	42	VCCIO	67	I/O	92	VCCIO
18	I/O	43	I/O	68	I/O	93	I/O
19	I/O	44	I/O	69	I/O	94	I/O
20	I/O	45	I/O	70	I/O	95	I/O
21	I/O	46	I/O	71	I/O	96	I/O
22	I/O	47	I/O	72	I/O	97	I/O
23	I/O	48	I/O	73	I/O	98	I/O
24	I/O	49	TRSTB	74	I/O	99	I/O
25	I/O	50	TMS	75	I/O	100	TDO

## QL4016 – 84 PLCC Pinout Diagram

Figure 13: QL4016 – 84 Pin PLCC (Top View)



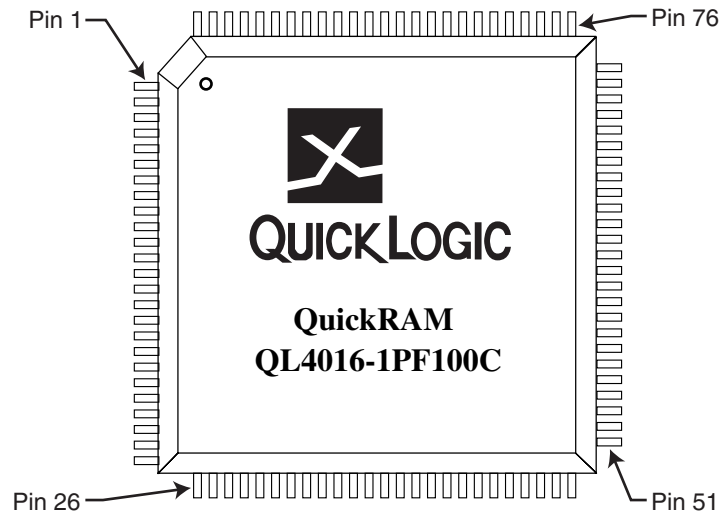
## QL4016 – 84 PLCC Pinout Table

Table 18: QL4016 – 84 PLCC Pinout Table

84 PLCC	Function	84 PLCC	Function	84 PLCC	Function	84 PLCC	Function
1	I/O	22	ACLK/I	43	I/O	64	ACLK/I
2	I/O	23	I	44	I/O	65	I
3	I/O	24	GCLK/I	45	I/O	66	GCLK/I
4	VCCIO	25	VCC	46	VCCIO	67	VCC
5	I/O	26	I/O	47	I/O	68	I/O
6	I/O	27	I/O	48	I/O	69	I/O
7	I/O	28	I/O	49	I/O	70	I/O
8	I/O	29	I/O	50	I/O	71	I/O
9	I/O	30	I/O	51	I/O	72	I/O
10	I/O	31	I/O	52	TRSTB	73	I/O
11	TDO	32	I/O	53	TMS	74	I/O
12	I/O	33	TDI	54	I/O	75	TCK
13	I/O	34	I/O	55	I/O	76	STM
14	I/O	35	I/O	56	I/O	77	I/O
15	I/O	36	VCC	57	I/O	78	I/O
16	I/O	37	I/O	58	I/O	79	VCC
17	I/O	38	I/O	59	I/O	80	I/O
18	I/O	39	I/O	60	I/O	81	I/O
19	GND	40	GND	61	GND	82	GND
20	I/O	41	I/O	62	I/O	83	I/O
21	I	42	I/O	63	I	84	I/O

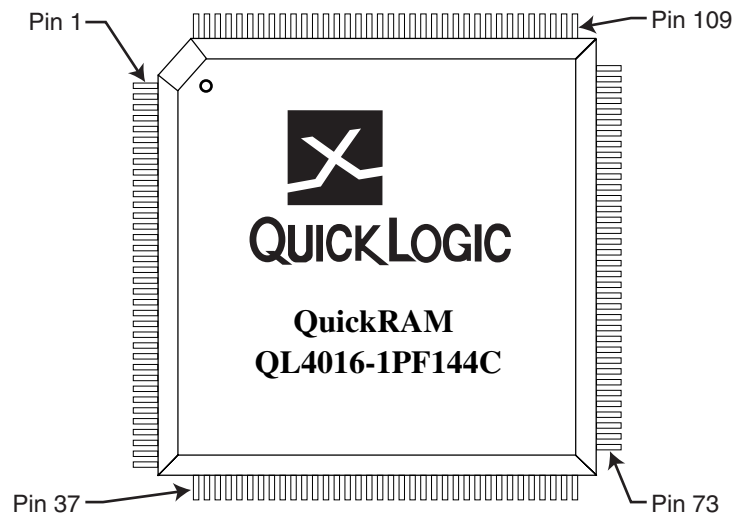
## QL4016 – 100 TQFP/CQFP Pinout Diagram

Figure 14: QL4016 – 100 Pin TQFP/CQFP (Top View)



## QL4016 – 144 TQFP Pinout Diagram

Figure 15: QL4016 – 144 Pin TQFP (Top View)



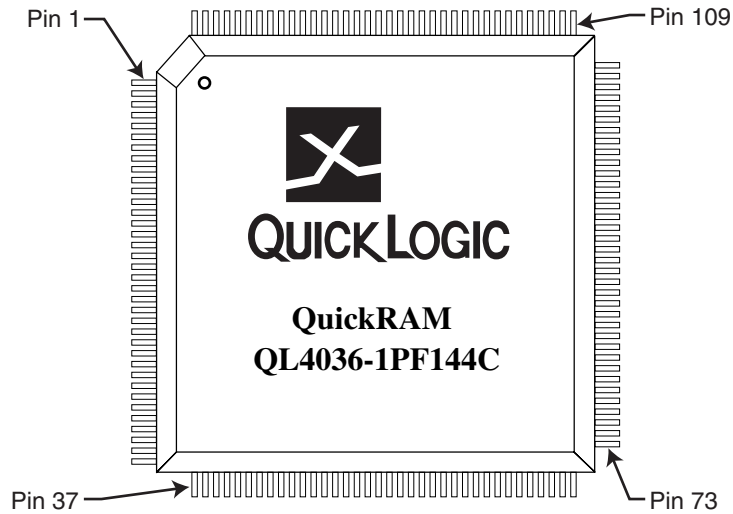
## QL4016 – 144 TQFP and 100 TQFP/CQFP Pinout Table

Table 19: QL4016 – 144 TQFP and 100 TQFP/CQFP Pinout Table

144TQFP	100TQFP	Function	144TQFP	100TQFP	Function	144TQFP	100TQFP	Function	144TQFP	100TQFP	Function
1	2	I/O	38	26	TDI	75	53	I/O	111	78	I/O
2	3	I/O	39	27	I/O	76	54	I/O	112	79	I/O
3	NC	I/O	40	28	I/O	77	55	I/O	113	80	I/O
4	4	I/O	41	29	I/O	78	NC	I/O	114	NC	VCC
5	NC	I/O	42	NC	VCC	79	NC	VCC	115	81	I/O
6	5	I/O	43	30	I/O	80	NC	I/O	116	82	I/O
7	NC	VCC	44	31	I/O	81	56	I/O	117	83	I/O
8	6	I/O	45	NC	I/O	82	NC	I/O	118	NC	I/O
9	NC	I/O	46	32	I/O	83	57	I/O	119	84	I/O
10	7	I/O	47	33	I/O	84	NC	I/O	120	NC	I/O
11	NC	I/O	48	NC	I/O	85	58	I/O	121	NC	I/O
12	NC	I/O	49	34	I/O	86	NC	I/O	122	85	GND
13	8	I/O	50	35	GND	87	59	GND	123	NC	I/O
14	NC	I/O	51	36	I/O	88	60	I/O	124	86	I/O
15	9	GND	52	NC	I/O	89	61	I	125	87	I/O
16	10	I/O	53	37	I/O	90	62	ACLK/I	126	88	GND
17	11	I	54	38	GND	91	63	VCC	127	89	I/O
18	12	ACLK/I	55	39	I/O	92	64	I	128	90	I/O
19	13	VCC	56	40	I/O	93	65	GCLK/I	129	91	I/O
20	14	I	57	41	I/O	94	66	VCC	130	92	VCCIO
21	15	GCLK/I	58	42	VCCIO	95	67	I/O	131	NC	I/O
22	16	VCC	59	NC	I/O	96	NC	I/O	132	93	I/O
23	17	I/O	60	43	I/O	NC	68	I/O	133	NC	I/O
24	18	I/O	61	44	I/O	97	NC	I/O	134	94	I/O
25	NC	I/O	62	45	I/O	98	69	I/O	135	NC	I/O
26	19	I/O	63	NC	I/O	99	NC	I/O	136	NC	I/O
27	NC	I/O	64	NC	I/O	100	70	I/O	NC	95	I/O
28	20	I/O	65	46	I/O	101	71	I/O	137	NC	I/O
29	21	I/O	66	NC	GND	102	NC	GND	138	NC	GND
30	NC	GND	67	NC	I/O	103	NC	I/O	139	96	I/O
31	NC	I/O	68	NC	I/O	104	72	I/O	140	97	I/O
32	22	I/O	69	47	I/O	105	NC	I/O	141	98	I/O
33	23	I/O	70	48	I/O	106	73	I/O	142	99	I/O
34	NC	I/O	71	49	TRSTB	107	74	I/O	143	100	TDO
35	NC	I/O	72	50	TMS	108	75	I/O	144	1	I/O
36	24	I/O	73	51	I/O	109	76	TCK			
37	25	I/O	74	52	I/O	110	77	STM			

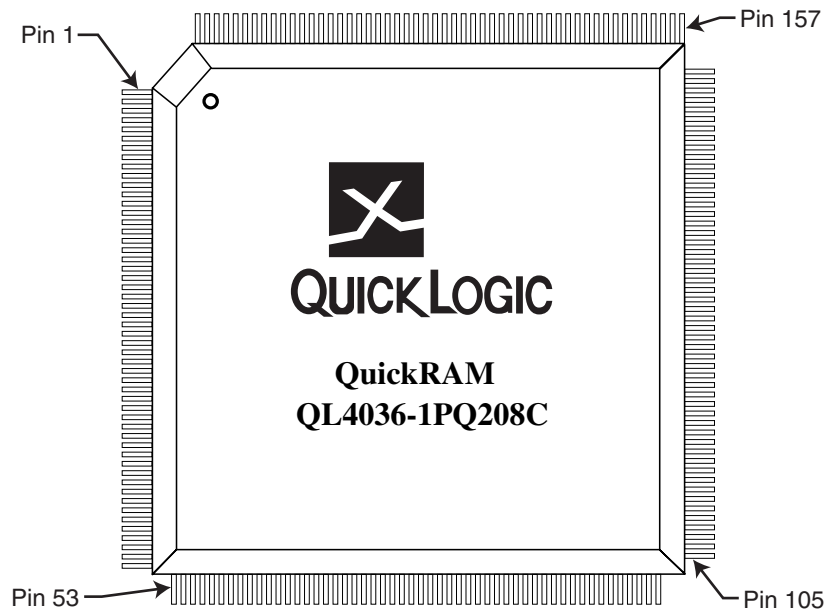
## QL4036 – 144 TQFP Pinout Diagram

Figure 16: QL4036 – 144 Pin TQFP (Top View)



## QL4036 – 208 PQFP Pinout Diagram

Figure 17: QL4036 – 208 Pin PQFP (Top View)



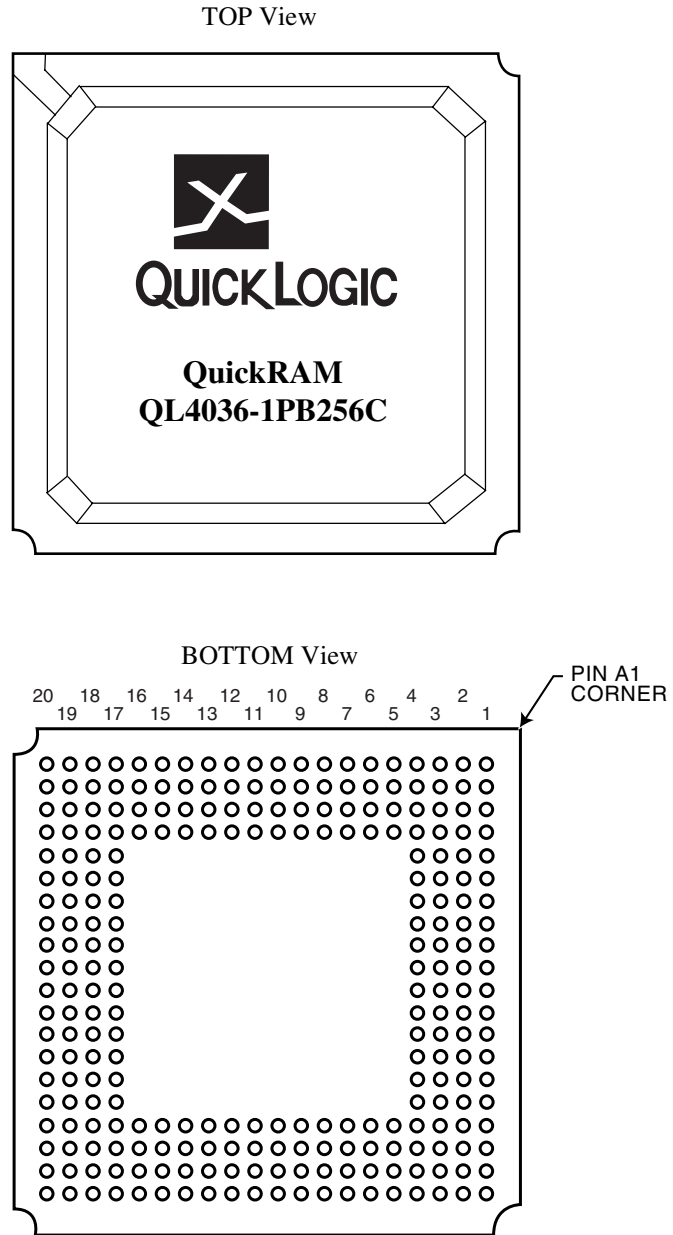
## QL4036 – 144 TQFP and 208 PQFP Pinout Table

Table 20: QL4036 – 144 TQFP and 208 PQFP Pinout Table

208 PQFP	144 TQFP	Function	208 PQFP	144 TQFP	Function	208 PQFP	144 TQFP	Function	208 PQFP	144 TQFP	Function	208 PQFP	144 TQFP	Function
1	NC	I/O	43	30	GND	85	60	I/O	127	87	GND	169	117	I/O
2	1	I/O	44	31	I/O	86	61	I/O	128	88	I/O	170	118	I/O
3	2	I/O	45	NC	I/O	87	NC	I/O	129	89	GCLK/I	171	119	I/O
4	3	I/O	46	32	I/O	88	62	I/O	130	90	ACLK/I	172	120	I/O
5	NC	I/O	47	NC	I/O	89	63	I/O	131	91	VCC	173	NC	I/O
6	4	I/O	48	33	I/O	90	NC	I/O	132	92	GCLK/I	174	NC	I/O
7	5	I/O	49	NC	I/O	91	NC	I/O	133	93	GCLK/I	175	121	I/O
8	NC	I/O	50	34	I/O	92	64	I/O	134	94	VCC	176	NC	I/O
9	6	I/O	51	35	I/O	93	NC	I/O	135	95	I/O	177	122	GND
10	7	VCC	52	36	I/O	94	65	I/O	136	NC	I/O	178	123	I/O
11	NC	I/O	53	37	I/O	95	66	GND	137	96	I/O	179	124	I/O
12	NC	GND	54	38	TDI	96	67	I/O	138	NC	I/O	180	NC	I/O
13	8	I/O	55	39	I/O	97	NC	VCC	139	97	I/O	181	125	I/O
14	NC	I/O	56	NC	I/O	98	NC	I/O	140	98	I/O	182	126	GND
15	9	I/O	57	40	I/O	99	68	I/O	141	NC	I/O	183	127	I/O
16	NC	I/O	58	NC	I/O	100	69	I/O	142	99	I/O	184	128	I/O
17	10	I/O	59	NC	GND	101	NC	I/O	143	NC	I/O	185	129	I/O
18	11	I/O	60	41	I/O	102	70	I/O	144	100	I/O	186	NC	I/O
19	12	I/O	61	42	VCC	103	71	TRSTB	145	NC	VCC	187	130	VCCIO
20	13	I/O	62	43	I/O	104	72	TMS	146	101	I/O	188	131	I/O
21	NC	I/O	63	NC	I/O	105	NC	I/O	147	102	GND	189	132	I/O
22	14	I/O	64	44	I/O	106	73	I/O	148	103	I/O	190	NC	I/O
23	15	GND	65	45	I/O	107	NC	I/O	149	104	I/O	191	133	I/O
24	16	I/O	66	NC	I/O	108	74	I/O	150	NC	I/O	192	134	I/O
25	17	GCLK/I	67	46	I/O	109	75	I/O	151	105	I/O	193	NC	I/O
26	18	ACLK/I	68	47	I/O	110	76	I/O	152	106	I/O	194	135	I/O
27	19	VCC	69	48	I/O	111	77	I/O	153	NC	I/O	195	136	I/O
28	20	GCLK/I	70	NC	I/O	112	NC	I/O	154	107	I/O	196	NC	I/O
29	21	GCLK/I	71	49	I/O	113	78	I/O	155	NC	I/O	197	137	I/O
30	22	VCC	72	NC	I/O	114	79	VCC	156	108	I/O	198	NC	I/O
31	23	I/O	73	50	GND	115	80	I/O	157	109	TCK	199	138	GND
32	NC	I/O	74	51	I/O	116	NC	GND	158	110	STM	200	139	I/O
33	24	I/O	75	52	I/O	117	81	I/O	159	111	I/O	201	NC	VCC
34	NC	I/O	76	NC	I/O	118	82	I/O	160	NC	I/O	202	140	I/O
35	25	I/O	77	53	I/O	119	NC	I/O	161	112	I/O	203	NC	I/O
36	NC	I/O	78	54	GND	120	83	I/O	162	113	I/O	204	141	I/O
37	26	I/O	79	55	I/O	121	NC	I/O	163	NC	GND	205	142	I/O
38	27	I/O	80	56	I/O	122	84	I/O	164	NC	I/O	206	NC	I/O
39	28	I/O	81	NC	I/O	123	85	I/O	165	114	VCC	207	143	TDO
40	NC	I/O	82	57	I/O	124	NC	I/O	166	115	I/O	208	144	I/O
41	NC	VCC	83	58	VCCIO	125	86	I/O	167	116	I/O			
42	29	I/O	84	59	I/O	126	NC	I/O	168	NC	I/O			

## QL4036 – 256 PBGA Pinout Diagram

Figure 18: QL4036 – 256 PBGA Pinout Diagram



## QL4036 – 256 PBGA Pinout Table

Table 21: QL4036 – 256 PBGA Pinout Table

256 PBGA	Function	256 PBGA	Function	256 PBGA	Function	256 PBGA	Function	256 PBGA	Function	256 PBGA	Function
A1	VSS	C4	I/O	E19	I/O	L2	ACLK/I	T17	I/O	V20	I/O
A2	I/O	C5	I/O	E20	I/O	L3	GCLK/I	T18	I/O	W1	I/O
A3	I/O	C6	I/O	F1	I/O	L4	GCLK/I	T19	NC	W2	I/O
A4	I/O	C7	I/O	F2	I/O	L17	VCC	T20	I/O	W3	TDI
A5	I/O	C8	I/O	F3	I/O	L18	I/O	U1	I/O	W4	I/O
A6	I/O	C9	VCCIO	F4	VCC	L19	I/O	U2	I/O	W5	I/O
A7	I/O	C10	I/O	F17	VCC	L20	I/O	U3	I/O	W6	I/O
A8	I/O	C11	I/O	F18	NC	M1	I/O	U4	VSS	W7	I/O
A9	I/O	C12	I/O	F19	I/O	M2	I/O	U5	I/O	W8	I/O
A10	I/O	C13	I/O	F20	I/O	M3	I/O	U6	VCC	W9	I/O
A11	I/O	C14	I/O	G1	I/O	M4	NC	U7	I/O	W10	I/O
A12	I/O	C15	I/O	G2	NC	M17	NC	U8	VSS	W11	I/O
A13	I/O	C16	I/O	G3	I/O	M18	I/O	U9	I/O	W12	I/O
A14	I/O	C17	I/O	G4	I/O	M19	I/O	U10	VCC	W13	I/O
A15	I/O	C18	I/O	G17	I/O	M20	I/O	U11	I/O	W14	I/O
A16	I/O	C19	I/O	G18	I/O	N1	I/O	U12	I/O	W15	I/O
A17	I/O	C20	I/O	G19	NC	N2	I/O	U13	VSS	W16	I/O
A18	I/O	D1	I/O	G20	I/O	N3	I/O	U14	I/O	W17	I/O
A19	TCK	D2	I/O	H1	I/O	N4	VSS	U15	VCC	W18	I/O
A20	I/O	D3	I/O	H2	I/O	N17	VSS	U16	I/O	W19	I/O
B1	TDO	D4	VSS	H3	I/O	N18	I/O	U17	VSS	W20	TRSTB
B2	I/O	D5	I/O	H4	VSS	N19	I/O	U18	I/O	Y1	I/O
B3	I/O	D6	VCC	H17	VSS	N20	I/O	U19	I/O	Y2	NC
B4	I/O	D7	I/O	H18	I/O	P1	I/O	U20	I/O	Y3	I/O
B5	I/O	D8	VSS	H19	I/O	P2	I/O	V1	I/O	Y4	I/O
B6	I/O	D9	I/O	H20	I/O	P3	I/O	V2	NC	Y5	I/O
B7	I/O	D10	I/O	J1	I/O	P4	I/O	V3	I/O	Y6	I/O
B8	I/O	D11	VCC	J2	I/O	P17	I/O	V4	I/O	Y7	I/O
B9	I/O	D12	I/O	J3	NC	P18	I/O	V5	I/O	Y8	I/O
B10	I/O	D13	VSS	J4	I/O	P19	NC	V6	I/O	Y9	I/O
B11	I/O	D14	I/O	J17	NC	P20	I/O	V7	I/O	Y10	I/O
B12	I/O	D15	VCC	J18	I/O	R1	NC	V8	I/O	Y11	I/O
B13	I/O	D16	I/O	J19	I/O	R2	I/O	V9	I/O	Y12	I/O
B14	I/O	D17	VSS	J20	GCLK/I	R3	I/O	V10	I/O	Y13	I/O
B15	I/O	D18	I/O	K1	I/O	R4	VCC	V11	I/O	Y14	I/O
B16	I/O	D19	I/O	K2	I/O	R17	VCC	V12	VCCIO	Y15	I/O
B17	NC	D20	I/O	K3	I/O	R18	I/O	V13	I/O	Y16	I/O
B18	STM	E1	NC	K4	VCC	R19	I/O	V14	I/O	Y17	I/O
B19	NC	E2	I/O	K17	GCLK/I	R20	I/O	V15	I/O	Y18	I/O
B20	I/O	E3	I/O	K18	ACLK/I	T1	NC	V16	I/O	Y19	I/O
C1	I/O	E4	I/O	K19	GCLK/I	T2	I/O	V17	I/O	Y20	NC
C2	I/O	E17	I/O	K20	NC	T3	I/O	V18	I/O		
C3	I/O	E18	I/O	L1	GCLK/I	T4	NC	V19	TMS		

## QL4058 – 208 and 240 PQFP Pinout Diagrams

Figure 19: QL4058 – 208 Pin PQFP (Top View)

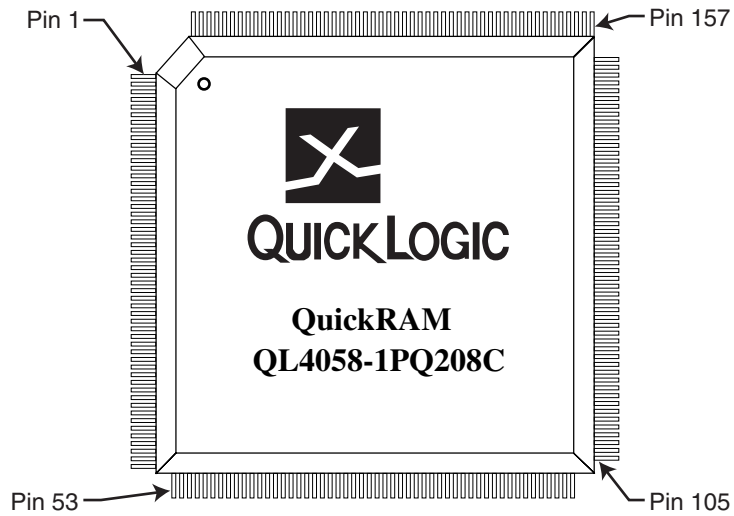
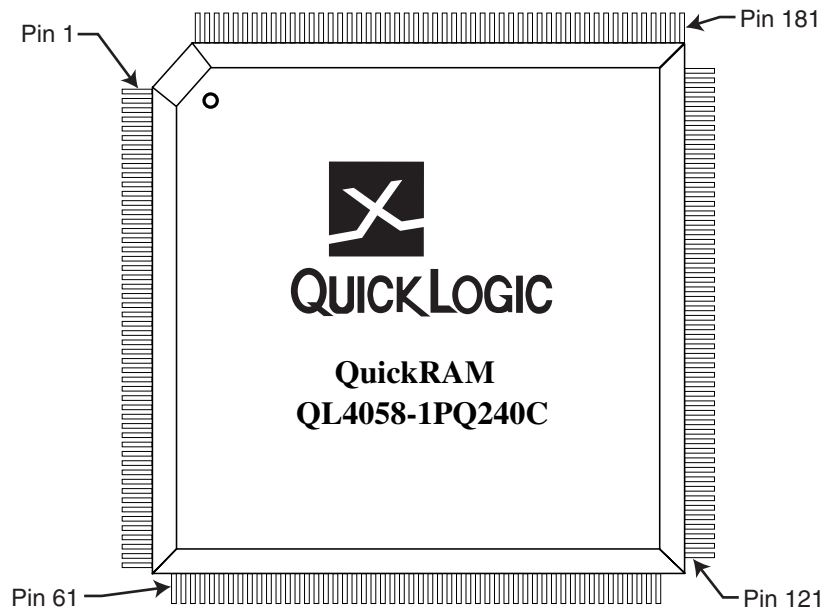


Figure 20: QL4058 – 240 Pin PQFP (Top View)



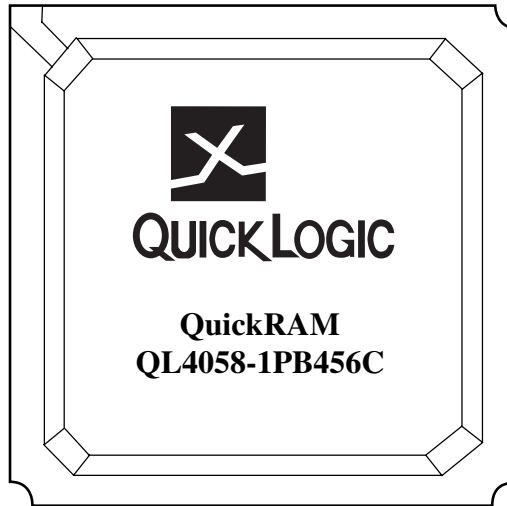
## QL4058 – 208 and 240 PQFP Pinout Table

Table 22: QL4058 – 208/240 PQFP Pinout Table

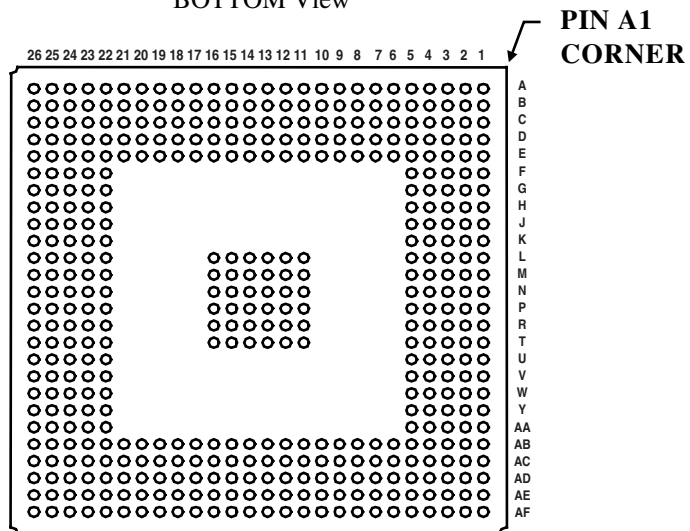
240 PQFP	208 PQFP	Function	240 PQFP	208 PQFP	Function	240 PQFP	208 PQFP	Function	240 PQFP	208 PQFP	Function	240 PQFP	208 PQFP	Function
1	208	I/O	51	43	GND	98	84	I/O	145	125	I/O	194	168	I/O
2	1	I/O	52	44	I/O	99	85	I/O	146	126	I/O	195	169	I/O
3	2	I/O	53	45	I/O	100	86	I/O	147	127	GND	196	NC	I/O
4	3	I/O	54	46	I/O	101	87	I/O	148	128	I/O	197	170	I/O
5	4	I/O	55	47	I/O	102	88	I/O	149	NC	I/O	198	171	I/O
6	5	I/O	56	48	I/O	103	89	I/O	150	129	GLCK/I	199	172	I/O
7	NC	I/O	57	NC	I/O	104	90	I/O	151	130	ACLK/I	200	173	I/O
8	6	I/O	58	49	I/O	105	91	I/O	152	131	VCC	201	174	I/O
9	7	I/O	59	50	I/O	106	92	I/O	153	132	GLCK/I	202	175	I/O
10	8	I/O	60	51	I/O	107	NC	I/O	154	133	GLCK/I	203	NC	I/O
11	9	I/O	NC	52	I/O	108	93	I/O	155	134	VCC	204	176	I/O
12	10	VCC	NC	53	I/O	109	94	I/O	156	135	I/O	205	177	GND
13	11	I/O	61	54	TDI	110	95	GND	157	136	I/O	206	178	I/O
14	12	GND	62	NC	I/O	NC	96	I/O	158	NC	I/O	207	179	I/O
15	13	I/O	63	NC	I/O	111	97	VCC	159	137	I/O	208	NC	I/O
16	14	I/O	64	55	I/O	NC	98	I/O	160	NC	GND	209	180	I/O
17	NC	I/O	65	56	I/O	NC	99	I/O	161	138	I/O	210	181	I/O
18	15	I/O	66	NC	I/O	112	100	I/O	162	139	I/O	211	182	GND
19	16	I/O	67	57	I/O	113	NC	I/O	163	140	I/O	212	NC	VCC
20	17	I/O	68	58	I/O	114	101	I/O	164	141	I/O	213	183	I/O
21	18	I/O	69	59	GND	115	NC	I/O	165	142	I/O	214	184	I/O
22	19	I/O	70	60	I/O	116	102	I/O	166	NC	I/O	215	185	I/O
23	20	I/O	71	61	VCC	117	NC	I/O	167	143	I/O	216	186	I/O
24	NC	I/O	72	62	I/O	118	NC	I/O	168	144	I/O	217	187	VCCIO
25	21	I/O	73	63	I/O	119	103	TRSTB	169	145	VCC	218	188	I/O
26	22	I/O	74	64	I/O	120	104	TMS	170	NC	I/O	219	NC	I/O
27	23	GND	75	NC	I/O	121	105	I/O	171	146	I/O	220	189	I/O
28	24	I/O	76	65	I/O	122	NC	I/O	172	147	GND	221	190	I/O
29	25	GCLK/I	77	66	I/O	123	106	I/O	173	148	I/O	222	191	I/O
30	26	ACLK/I	78	67	I/O	124	107	I/O	174	149	I/O	223	192	I/O
31	27	VCC	79	NC	I/O	125	108	I/O	175	150	I/O	224	193	I/O
32	28	GCLK/I	80	68	I/O	126	109	I/O	176	151	I/O	225	194	I/O
33	29	GCLK/I	81	69	I/O	127	NC	I/O	177	152	I/O	226	NC	I/O
34	30	VCC	82	70	I/O	128	110	I/O	178	153	I/O	227	195	I/O
35	31	I/O	83	NC	I/O	129	111	I/O	179	154	I/O	228	196	I/O
36	32	I/O	NC	71	I/O	130	112	I/O	180	155	I/O	229	197	I/O
37	NC	GND	84	NC	I/O	131	113	I/O	NC	156	I/O	230	198	I/O
38	33	I/O	85	72	I/O	132	114	VCC	181	157	TCK	231	NC	I/O
39	NC	I/O	86	73	GND	133	115	I/O	182	158	STM	232	199	GND
40	34	I/O	87	74	I/O	134	116	GND	183	NC	I/O	233	200	I/O
41	35	I/O	88	NC	VCC	135	117	I/O	184	159	I/O	234	201	VCC
42	36	I/O	89	75	I/O	136	NC	I/O	185	160	I/O	235	202	I/O
43	NC	I/O	90	76	I/O	137	118	I/O	186	161	I/O	236	203	I/O
44	37	I/O	91	77	I/O	138	119	I/O	187	162	I/O	237	204	I/O
45	38	I/O	92	78	GND	139	120	I/O	188	163	GND	238	205	I/O
46	39	I/O	93	79	I/O	140	121	I/O	189	164	I/O	239	206	I/O
47	NC	I/O	94	80	I/O	141	NC	I/O	190	165	VCC	240	207	TDO
48	40	I/O	95	81	I/O	142	122	I/O	191	166	I/O			
49	41	VCC	96	82	I/O	143	123	I/O	192	NC	I/O			
50	42	I/O	97	83	VCCIO	144	124	I/O	193	167	I/O			

## QL4058 – 456 PBGA Pinout Diagram

Figure 21: QL4058 – 456 PBGA Pinout Diagram  
TOP View



BOTTOM View



## QL4058 – 456 PBGA Pinout Table

Table 23: QL4058 – 456 PBGA Pinout Table

456	Function	456	Function	456	Function	456	Function	456	Function
A1	I/O	C1	I/O	E1	I/O	H23	NC	M23	NC
A2	I/O	C2	I/O	E2	I/O	H24	I/O	M24	I/O
A3	I/O	C3	I/O	E3	I/O	H25	NC	M25	I/O
A4	I/O	C4	TDO	E4	I/O	H26	I/O	M26	I/O
A5	I/O	C5	I/O	E5	GND	J1	I/O	N1	GCLK/I
A6	I/O	C6	I/O	E6	VCC	J2	I/O	N2	I/O
A7	I/O	C7	I/O	E7	GND	J3	I/O	N3	I/O
A8	I/O	C8	I/O	E8	NC	J4	NC	N4	GCLK/I
A9	NC	C9	I/O	E9	GND	J5	GND	N5	VCC
A10	I/O	C10	I/O	E10	I/O	J22	NC	N11	GND/THERM
A11	I/O	C11	I/O	E11	GND	J23	NC	N12	GND/THERM
A12	VCCIO	C12	I/O	E12	GND	J24	I/O	N13	GND/THERM
A13	I/O	C13	I/O	E13	VCC	J25	I/O	N14	GND/THERM
A14	I/O	C14	I/O	E14	GND	J26	I/O	N15	GND/THERM
A15	NC	C15	I/O	E15	GND	K1	NC	N16	GND/THERM
A16	I/O	C16	I/O	E16	GND	K2	NC	N22	GND
A17	NC	C17	NC	E17	NC	K3	I/O	N23	I/O
A18	I/O	C18	NC	E18	GND	K4	I/O	N24	I/O
A19	I/O	C19	I/O	E19	NC	K5	VCC	N25	NC
A20	I/O	C20	I/O	E20	GND	K22	GND	N26	I/O
A21	NC	C21	I/O	E21	VCC	K23	I/O	P1	I/O
A22	I/O	C22	I/O	E22	GND	K24	I/O	P2	I/O
A23	NC	C23	I/O	E23	I/O	K25	NC	P3	NC
A24	I/O	C24	I/O	E24	I/O	K26	I/O	P4	I/O
A25	I/O	C25	TCK	E25	I/O	L1	I/O	P5	NC
A26	I/O	C26	NC	E26	I/O	L2	I/O	P11	GND/THERM
B1	I/O	D1	I/O	F1	I/O	L3	I/O	P12	GND/THERM
B2	NC	D2	I/O	F2	I/O	L4	I/O	P13	GND/THERM
B3	I/O	D3	I/O	F3	NC	L5	NC	P14	GND/THERM
B4	NC	D4	GND	F4	NC	L11	GND/THERM	P15	GND/THERM
B5	NC	D5	NC	F5	VCC	L12	GND/THERM	P16	GND/THERM
B6	NC	D6	NC	F22	VCC	L13	GND/THERM	P22	NC
B7	NC	D7	I/O	F23	NC	L14	GND/THERM	P23	GCLK/I
B8	NC	D8	I/O	F24	I/O	L15	GND/THERM	P24	GCLK/I
B9	I/O	D9	GND	F25	I/O	L16	GND/THERM	P25	NC
B10	NC	D10	I/O	F26	I/O	L22	NC	P26	ACLK/I
B11	NC	D11	I/O	G1	I/O	L23	I/O	R1	NC
B12	I/O	D12	GND	G2	I/O	L24	I/O	R2	I/O
B13	I/O	D13	I/O	G3	I/O	L25	NC	R3	I/O
B14	NC	D14	I/O	G4	I/O	L26	I/O	R4	NC
B15	I/O	D15	GND	G5	NC	M1	ACLK/I	R5	NC
B16	I/O	D16	I/O	G22	GND	M2	GCLK/I	R11	GND/THERM
B17	I/O	D17	I/O	G23	NC	M3	I/O	R12	GND/THERM
B18	I/O	D18	GND	G24	I/O	M4	NC	R13	GND/THERM
B19	I/O	D19	I/O	G25	I/O	M5	GND	R14	GND/THERM
B20	I/O	D20	NC	G26	I/O	M11	GND/THERM	R15	GND/THERM
B21	I/O	D21	NC	H1	NC	M12	GND/THERM	R16	GND/THERM
B22	I/O	D22	I/O	H2	I/O	M13	GND/THERM	R22	VCC
B23	NC	D23	GND	H3	NC	M14	GND/THERM	R23	NC
B24	I/O	D24	I/O	H4	I/O	M15	GND/THERM	R24	NC
B25	I/O	D25	I/O	H5	NC	M16	GND/THERM	R25	I/O
B26	STM	D26	I/O	H22	NC	M22	NC	R26	GCLK/I

Table 23: QL4058 – 456 PBGA Pinout Table (Continued)

456	Function	456	Function	456	Function	456	Function	456	Function
T1	I/O	W5	NC	AB15	VCC	AD3	I/O	AE17	I/O
T2	I/O	W22	NC	AB16	I/O	AD4	I/O	AE18	I/O
T3	I/O	W23	I/O	AB17	NC	AD5	I/O	AE19	I/O
T4	I/O	W24	I/O	AB18	VCC	AD6	I/O	AE20	I/O
T5	VCC	W25	I/O	AB19	GND	AD7	I/O	AE21	I/O
T11	GND/THERM	W26	NC	AB20	NC	AD8	I/O	AE22	NC
T12	GND/THERM	Y1	NC	AB21	VCC	AD9	NC	AE23	NC
T13	GND/THERM	Y2	I/O	AB22	GND	AD10	I/O	AE24	TMS
T14	GND/THERM	Y3	NC	AB23	I/O	AD11	NC	AE25	I/O
T15	GND/THERM	Y4	I/O	AB24	NC	AD12	I/O	AE26	I/O
T16	GND/THERM	Y5	I/O	AB25	I/O	AD13	I/O	AF1	I/O
T22	GND	Y22	GND	AB26	I/O	AD14	I/O	AF2	NC
T23	I/O	Y23	I/O	AC1	I/O	AD15	I/O	AF3	I/O
T24	I/O	Y24	NC	AC2	I/O	AD16	I/O	AF4	NC
T25	NC	Y25	I/O	AC3	NC	AD17	I/O	AF5	I/O
T26	I/O	Y26	I/O	AC4	GND	AD18	I/O	AF6	I/O
U1	NC	AA1	I/O	AC5	NC	AD19	NC	AF7	I/O
U2	I/O	AA2	I/O	AC6	NC	AD20	NC	AF8	I/O
U3	I/O	AA3	NC	AC7	NC	AD21	I/O	AF9	I/O
U4	I/O	AA4	NC	AC8	NC	AD22	I/O	AF10	I/O
U5	GND	AA5	VCC	AC9	NC	AD23	TRSTB	AF11	NC
U22	NC	AA22	VCC	AC10	NC	AD24	NC	AF12	I/O
U23	I/O	AA23	NC	AC11	I/O	AD25	I/O	AF13	I/O
U24	I/O	AA24	I/O	AC12	NC	AD26	I/O	AF14	NC
U25	I/O	AA25	I/O	AC13	I/O	AE1	TDI	AF15	NC
U26	I/O	AA26	I/O	AC14	VCCIO	AE2	I/O	AF16	I/O
V1	I/O	AB1	NC	AC15	NC	AE3	I/O	AF17	I/O
V2	I/O	AB2	I/O	AC16	NC	AE4	I/O	AF18	I/O
V3	NC	AB3	I/O	AC17	NC	AE5	I/O	AF19	NC
V4	NC	AB4	I/O	AC18	NC	AE6	I/O	AF20	I/O
V5	NC	AB5	GND	AC19	I/O	AE7	I/O	AF21	I/O
V22	GND	AB6	VCC	AC20	I/O	AE8	I/O	AF22	I/O
V23	NC	AB7	NC	AC21	I/O	AE9	I/O	AF23	I/O
V24	I/O	AB8	NC	AC22	NC	AE10	I/O	AF24	I/O
V25	NC	AB9	NC	AC23	GND	AE11	I/O	AF25	I/O
V26	I/O	AB10	VCC	AC24	NC	AE12	I/O	AF26	I/O
W1	I/O	AB11	GND	AC25	I/O	AE13	I/O		
W2	I/O	AB12	NC	AC26	I/O	AE14	I/O		
W3	I/O	AB13	I/O	AD1	I/O	AE15	I/O		
W4	I/O	AB14	GND	AD2	NC	AE16	I/O		

## QL4090 – 208 PQFP/CQFP and 240 PQFP Pinout Diagrams

Figure 22: QL4090 – 208 Pin PQFP/CQFP (Top View)

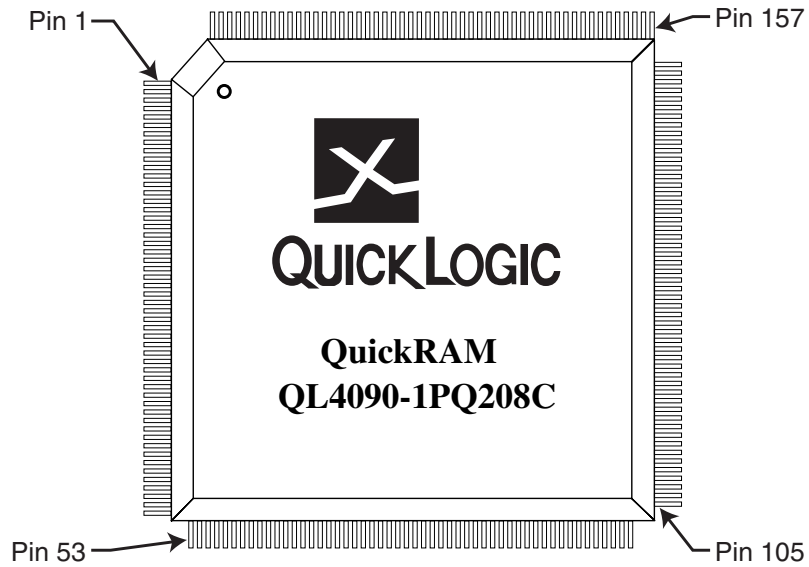
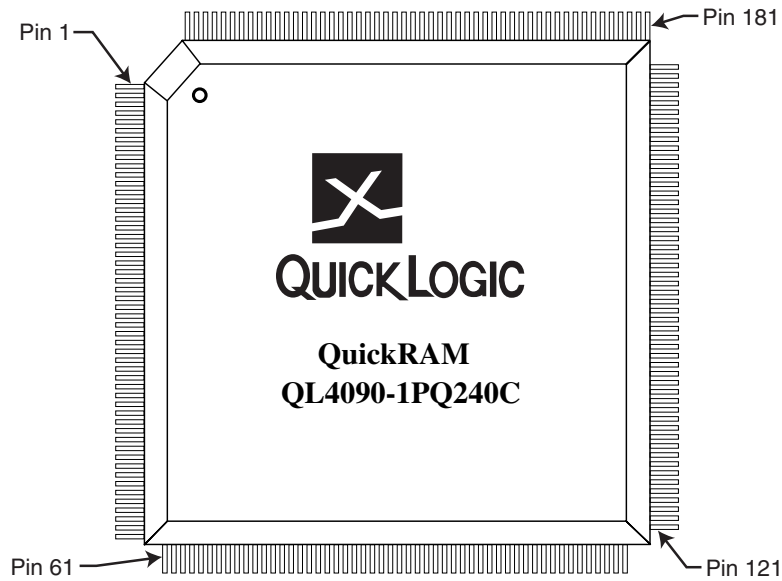


Figure 23: QL4090 – 240 Pin PQFP (Top View)



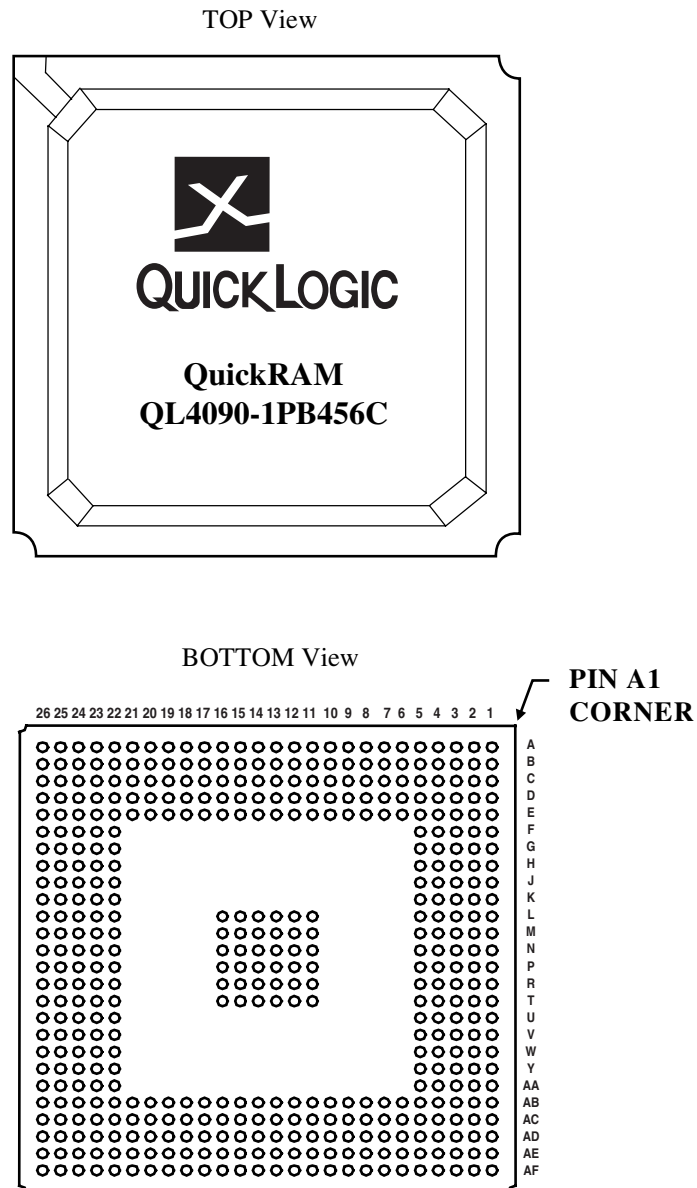
## QL4090 – 208 PQFP/CQFP and 240 PQFP Pinout Table

Table 24: QL4090 – 208 PQFP/CQFP and 240 PQFP Pinout Table

240 PQFP	208 PQFP	Function	240 PQFP	208 PQFP	Function	240 PQFP	208 PQFP	Function	240 PQFP	208 PQFP	Function	240 PQFP	208 PQFP	Function
1	208	I/O	51	43	GND	98	84	I/O	145	125	I/O	194	168	I/O
2	1	I/O	52	44	I/O	99	85	I/O	146	126	I/O	195	169	I/O
3	2	I/O	53	45	I/O	100	86	I/O	147	127	GND	196	NC	I/O
4	3	I/O	54	46	I/O	101	87	I/O	148	128	I/O	197	170	I/O
5	4	I/O	55	47	I/O	102	88	I/O	149	NC	I/O	198	171	I/O
6	5	I/O	56	48	I/O	103	89	I/O	150	129	GLCK/I	199	172	I/O
7	NC	I/O	57	NC	I/O	104	90	I/O	151	130	ACLK/I	200	173	I/O
8	6	I/O	58	49	I/O	105	91	I/O	152	131	VCC	201	174	I/O
9	7	I/O	59	50	I/O	106	92	I/O	153	132	GLCK/I	202	175	I/O
10	8	I/O	60	51	I/O	107	NC	I/O	154	133	GLCK/I	203	NC	I/O
11	9	I/O	NC	52	I/O	108	93	I/O	155	134	VCC	204	176	I/O
12	10	VCC	NC	53	I/O	109	94	I/O	156	135	I/O	205	177	GND
13	11	I/O	61	54	TDI	110	95	GND	157	136	I/O	206	178	I/O
14	12	GND	62	NC	I/O	NC	96	I/O	158	NC	I/O	207	179	I/O
15	13	I/O	63	NC	I/O	111	97	VCC	159	137	I/O	208	NC	I/O
16	14	I/O	64	55	I/O	NC	98	I/O	160	NC	GND	209	180	I/O
17	NC	I/O	65	56	I/O	NC	99	I/O	161	138	I/O	210	181	I/O
18	15	I/O	66	NC	I/O	112	100	I/O	162	139	I/O	211	182	GND
19	16	I/O	67	57	I/O	113	NC	I/O	163	140	I/O	212	NC	VCC
20	17	I/O	68	58	I/O	114	101	I/O	164	141	I/O	213	183	I/O
21	18	I/O	69	59	GND	115	NC	I/O	165	142	I/O	214	184	I/O
22	19	I/O	70	60	I/O	116	102	I/O	166	NC	I/O	215	185	I/O
23	20	I/O	71	61	VCC	117	NC	I/O	167	143	I/O	216	186	I/O
24	NC	I/O	72	62	I/O	118	NC	I/O	168	144	I/O	217	187	VCCIO
25	21	I/O	73	63	I/O	119	103	TRSTB	169	145	VCC	218	188	I/O
26	22	I/O	74	64	I/O	120	104	TMS	170	NC	I/O	219	NC	I/O
27	23	GND	75	NC	I/O	121	105	I/O	171	146	I/O	220	189	I/O
28	24	I/O	76	65	I/O	122	NC	I/O	172	147	GND	221	190	I/O
29	25	GCLK/I	77	66	I/O	123	106	I/O	173	148	I/O	222	191	I/O
30	26	ACLK/I	78	67	I/O	124	107	I/O	174	149	I/O	223	192	I/O
31	27	VCC	79	NC	I/O	125	108	I/O	175	150	I/O	224	193	I/O
32	28	GCLK/I	80	68	I/O	126	109	I/O	176	151	I/O	225	194	I/O
33	29	GCLK/I	81	69	I/O	127	NC	I/O	177	152	I/O	226	NC	I/O
34	30	VCC	82	70	I/O	128	110	I/O	178	153	I/O	227	195	I/O
35	31	I/O	83	NC	I/O	129	111	I/O	179	154	I/O	228	196	I/O
36	32	I/O	NC	71	I/O	130	112	I/O	180	155	I/O	229	197	I/O
37	NC	GND	84	NC	I/O	131	113	I/O	NC	156	I/O	230	198	I/O
38	33	I/O	85	72	I/O	132	114	VCC	181	157	TCK	231	NC	I/O
39	NC	I/O	86	73	GND	133	115	I/O	182	158	STM	232	199	GND
40	34	I/O	87	74	I/O	134	116	GND	183	NC	I/O	233	200	I/O
41	35	I/O	88	NC	VCC	135	117	I/O	184	159	I/O	234	201	VCC
42	36	I/O	89	75	I/O	136	NC	I/O	185	160	I/O	235	202	I/O
43	NC	I/O	90	76	I/O	137	118	I/O	186	161	I/O	236	203	I/O
44	37	I/O	91	77	I/O	138	119	I/O	187	162	I/O	237	204	I/O
45	38	I/O	92	78	GND	139	120	I/O	188	163	GND	238	205	I/O
46	39	I/O	93	79	I/O	140	121	I/O	189	164	I/O	239	206	I/O
47	NC	I/O	94	80	I/O	141	NC	I/O	190	165	VCC	240	207	TDO
48	40	I/O	95	81	I/O	142	122	I/O	191	166	I/O			
49	41	VCC	96	82	I/O	143	123	I/O	192	NC	I/O			
50	42	I/O	97	83	VCCIO	144	124	I/O	193	167	I/O			

## QL4090 – 456 PBGA Pinout Diagram

Figure 24: QL4090 – 456 PBGA Pinout Diagram



## QL4090 – 456 PBGA Pinout Table

Table 25: QL4090 – 456 PBGA Pinout Table

456	Function	456	Function	456	Function	456	Function	456	Function
A1	I/O	C1	I/O	E1	I/O	H23	I/O	M23	NC
A2	I/O	C2	I/O	E2	I/O	H24	I/O	M24	I/O
A3	I/O	C3	I/O	E3	I/O	H25	I/O	M25	I/O
A4	I/O	C4	TDO	E4	I/O	H26	I/O	M26	I/O
A5	I/O	C5	I/O	E5	GND	J1	I/O	N1	GCLK/I
A6	I/O	C6	I/O	E6	VCC	J2	I/O	N2	I/O
A7	I/O	C7	I/O	E7	GND	J3	I/O	N3	I/O
A8	I/O	C8	I/O	E8	NC	J4	NC	N4	GCLK/I
A9	I/O	C9	I/O	E9	GND	J5	GND	N5	VCC
A10	I/O	C10	I/O	E10	I/O	J22	NC	N11	GND/THERM
A11	I/O	C11	I/O	E11	GND	J23	NC	N12	GND/THERM
A12	VCCIO	C12	I/O	E12	GND	J24	I/O	N13	GND/THERM
A13	I/O	C13	I/O	E13	VCC	J25	I/O	N14	GND/THERM
A14	I/O	C14	I/O	E14	GND	J26	I/O	N15	GND/THERM
A15	I/O	C15	I/O	E15	GND	K1	I/O	N16	GND/THERM
A16	I/O	C16	I/O	E16	GND	K2	I/O	N22	GND
A17	I/O	C17	I/O	E17	NC	K3	I/O	N23	I/O
A18	I/O	C18	I/O	E18	GND	K4	I/O	N24	I/O
A19	I/O	C19	I/O	E19	NC	K5	VCC	N25	I/O
A20	I/O	C20	I/O	E20	GND	K22	GND	N26	I/O
A21	I/O	C21	I/O	E21	VCC	K23	I/O	P1	I/O
A22	I/O	C22	I/O	E22	GND	K24	I/O	P2	I/O
A23	I/O	C23	I/O	E23	I/O	K25	I/O	P3	I/O
A24	I/O	C24	I/O	E24	I/O	K26	I/O	P4	I/O
A25	I/O	C25	TCK	E25	I/O	L1	I/O	P5	NC
A26	I/O	C26	I/O	E26	I/O	L2	I/O	P11	GND/THERM
B1	I/O	D1	I/O	F1	I/O	L3	I/O	P12	GND/THERM
B2	I/O	D2	I/O	F2	I/O	L4	I/O	P13	GND/THERM
B3	I/O	D3	I/O	F3	I/O	L5	NC	P14	GND/THERM
B4	I/O	D4	GND	F4	NC	L11	GND/THERM	P15	GND/THERM
B5	I/O	D5	I/O	F5	VCC	L12	GND/THERM	P16	GND/THERM
B6	I/O	D6	NC	F22	VCC	L13	GND/THERM	P22	NC
B7	I/O	D7	I/O	F23	NC	L14	GND/THERM	P23	GCLK/I
B8	I/O	D8	I/O	F24	I/O	L15	GND/THERM	P24	GCLK/I
B9	I/O	D9	GND	F25	I/O	L16	GND/THERM	P25	I/O
B10	I/O	D10	I/O	F26	I/O	L22	NC	p26	ACLK/I
B11	I/O	D11	I/O	G1	I/O	L23	I/O	R1	I/O
B12	I/O	D12	GND	G2	I/O	L24	I/O	R2	I/O
B13	I/O	D13	I/O	G3	I/O	L25	I/O	R3	I/O
B14	I/O	D14	I/O	G4	I/O	L26	I/O	R4	NC
B15	I/O	D15	GND	G5	NC	M1	ACLK/I	R5	NC
B16	I/O	D16	I/O	G22	GND	M2	GCLK/I	R11	GND/THERM
B17	I/O	D17	I/O	G23	I/O	M3	I/O	R12	GND/THERM
B18	I/O	D18	GND	G24	I/O	M4	NC	R13	GND/THERM
B19	I/O	D19	I/O	G25	I/O	M5	GND	R14	GND/THERM
B20	I/O	D20	I/O	G26	I/O	M11	GND/THERM	R15	GND/THERM
B21	I/O	D21	NC	H1	I/O	M12	GND/THERM	R16	GND/THERM
B22	I/O	D22	I/O	H2	I/O	M13	GND/THERM	R22	VCC
B23	I/O	D23	GND	H3	I/O	M14	GND/THERM	R23	NC
B24	I/O	D24	I/O	H4	I/O	M15	GND/THERM	R24	I/O
B25	I/O	D25	I/O	H5	NC	M16	GND/THERM	R25	I/O
B26	STM	D26	I/O	H22	NC	M22	NC	R26	GCLK/I

Table 25: QL4090 – 456 PBGA Pinout Table (Continued)

456	Function	456	Function	456	Function	456	Function	456	Function
T1	I/O	W5	NC	AB15	VCC	AD3	I/O	AE17	I/O
T2	I/O	W22	NC	AB16	I/O	AD4	I/O	AE18	I/O
T3	I/O	W23	I/O	AB17	NC	AD5	I/O	AE19	I/O
T4	I/O	W24	I/O	AB18	VCC	AD6	I/O	AE20	I/O
T5	VCC	W25	I/O	AB19	GND	AD7	I/O	AE21	I/O
T11	GND/THERMAL	W26	I/O	AB20	NC	AD8	I/O	AE22	I/O
T12	GND/THERMAL	Y1	I/O	AB21	VCC	AD9	I/O	AE23	NC
T13	GND/THERMAL	Y2	I/O	AB22	GND	AD10	I/O	AE24	TMS
T14	GND/THERMAL	Y3	I/O	AB23	I/O	AD11	I/O	AE25	I/O
T15	GND/THERMAL	Y4	I/O	AB24	I/O	AD12	I/O	AE26	I/O
T16	GND/THERMAL	Y5	I/O	AB25	I/O	AD13	I/O	AF1	I/O
T22	GND	Y22	GND	AB26	I/O	AD14	I/O	AF2	I/O
T23	I/O	Y23	I/O	AC1	I/O	AD15	I/O	AF3	I/O
T24	I/O	Y24	I/O	AC2	I/O	AD16	I/O	AF4	I/O
T25	I/O	Y25	I/O	AC3	NC	AD17	I/O	AF5	I/O
T26	I/O	Y26	I/O	AC4	GND	AD18	I/O	AF6	I/O
U1	I/O	AA1	I/O	AC5	I/O	AD19	I/O	AF7	I/O
U2	I/O	AA2	I/O	AC6	NC	AD20	I/O	AF8	I/O
U3	I/O	AA3	NC	AC7	I/O	AD21	I/O	AF9	I/O
U4	I/O	AA4	NC	AC8	I/O	AD22	I/O	AF10	I/O
U5	GND	AA5	VCC	AC9	NC	AD23	TRSTB	AF11	I/O
U22	NC	AA22	VCC	AC10	I/O	AD24	I/O	AF12	I/O
U23	I/O	AA23	NC	AC11	I/O	AD25	I/O	AF13	I/O
U24	I/O	AA24	I/O	AC12	NC	AD26	I/O	AF14	I/O
U25	I/O	AA25	I/O	AC13	I/O	AE1	TDI	AF15	I/O
U26	I/O	AA26	I/O	AC14	VCCIO	AE2	I/O	AF16	I/O
V1	I/O	AB1	I/O	AC15	NC	AE3	I/O	AF17	I/O
V2	I/O	AB2	I/O	AC16	I/O	AE4	I/O	AF18	I/O
V3	I/O	AB3	I/O	AC17	I/O	AE5	I/O	AF19	I/O
V4	NC	AB4	I/O	AC18	NC	AE6	I/O	AF20	I/O
V5	NC	AB5	GND	AC19	I/O	AE7	I/O	AF21	I/O
V22	GND	AB6	VCC	AC20	I/O	AE8	I/O	AF22	I/O
V23	NC	AB7	NC	AC21	I/O	AE9	I/O	AF23	I/O
V24	I/O	AB8	NC	AC22	NC	AE10	I/O	AF24	I/O
V25	I/O	AB9	NC	AC23	GND	AE11	I/O	AF25	I/O
V26	I/O	AB10	VCC	AC24	I/O	AE12	I/O	AF26	I/O
W1	I/O	AB11	GND	AC25	I/O	AE13	I/O		
W2	I/O	AB12	NC	AC26	I/O	AE14	I/O		
W3	I/O	AB13	I/O	AD1	I/O	AE15	I/O		
W4	I/O	AB14	GND	AD2	NC	AE16	I/O		

# Package Mechanical Drawings

## 68 PLCC Mechanical Drawing

REV.	DESCRIPTION	DATE	DESIGNED BY
11	REVISED PER DEN NUMBER.	10/97	YAK.
12	REVISED PER DEN NUMBER.	10/97	JCF.
13	REVISED PER DEN NUMBER.	10/97	NTK.
14	REVISED PER DEN 402746.	10/97	NTK.

LD CNT.	A1C1	AAP2
20	A	-
28	A	C
44	B	C
52	B	-
68	B	B
84	B	B

DESCRIPTION	MATERIAL	PLATE	S.I.D. NO.
ANGULAR			
DECIMAL			
XXX4			
XXXXX			
MATERIAL			
FINISH			
EDD UNIT SCALE DRAWING			

DATE	10/27/97
APPROVALS	T. KHAM
DRAWN	T. KHAM
CHECKED	K. MURRAY
RELEASED	T. KHAM
BY	Y.M. KANGAL
DATE	10/27/97
SIZE	10/27/97
FIG. NO.	03-016-08
REV.	B
SHEET	1 OF 2

LD CNT. AAP2

20 A - A

28 A C A

44 B C B

52 B -

68 B B B

84 B B B

DESCRIPTION

ANGULAR

DECIMAL

XXX4

XXXXX

MATERIAL

FINISH

EDD UNIT SCALE DRAWING

MATERIAL

PLATE

S.I.D. NO.

ANGULAR

DECIMAL

XXX4

XXXXX

MATERIAL

FINISH

EDD UNIT SCALE DRAWING

DATE

APPROVALS

DRAWN

CHECKED

RELEASED

BY

DATE

SIZE

FIG. NO.

REV.

SHEET

PACKAGE OUTLINE

PLCC, SQUARE

03-016-08

B

1 OF 2

- NOTES:
1. ALL DIMENSIONS AND TOLERANCES CONFORM TO ANSI Y14.5M-1982.
  2. CONTROLLING DIMENSION: INCHES.
  3. TO BE DETERMINED AT SEATING PLANE [—C—].
  4. DIMENSIONS D1 AND E1 DO NOT INCLUDE MOLD FLASH OR PROTRUSIONS, BUT DO INCLUDE MOLD MISMATCH AND ARE MEASURED AT THE MOLD PARTING LINE. MOLD FLASH OR PROTRUSIONS SHALL NOT EXCEED .008 PER WINDOW FLASH AND .010 CORNER FLASH.
  5. DATUMS [A-B] AND [D-E] TO BE DETERMINED WHERE CENTER LEADS EXIT PLASTIC BODY AT DATUM PLANE [—H—].
  6. 'N' IS NUMBER OF TERMINALS.
  7. FORMED LEADS SHALL BE PLANAR WITH RESPECT TO ONE ANOTHER WITHIN .003 INCHES.
  8. D7/E7 ARE FOR TOP SIDE MARKING PURPOSES.
  9. DATUM PLANE [—H—] LOCATED AT TOP OF MOLD PARTING LINE AND CONCURRENT WITH TOP OF LEAD, WHERE LEAD EXITS PLASTIC BODY. THE 44, 68, AND 84 LEAD PARTS AT AAP2.
  10. PACKAGE TOP DIMENSIONS MAY BE SMALLER THAN BOTTOM DIMENSIONS AND TOP OF PACKAGE WILL NOT OVERHANG BOTTOM OF PACKAGE.
  11. THIS PART IS COMPLIANT WITH JEDEC SPEC. MS-018 VARIATIONS AA, AB, AC, AD, AE, AND AF. THE LEAD WIDTH DIMENSION DOES NOT INCLUDE DAMBAR PROTRUSION. ALLOWABLE DAMBAR PROTRUSIONS SHALL BE .007 TOTAL IN EXCESS OF THE LEAD WIDTH DIMENSION AT MAXIMUM MATERIAL CONDITION. MINIMUM SPACE BETWEEN PROTRUSIONS AND ADJACENT LEAD TO BE .008.
  12. COUNTRY OF ORIGIN FEATURE WILL EITHER BE LOCATED IN THE LOWER LEFT CORNER OR UPPER RIGHT CORNER DUE TO TOOLING VARIATIONS; HOWEVER, THE LOWER LEFT CORNER LOCATION SHALL BE CONSIDERED STANDARD.

# 84 PLCC Mechanical Drawing

REV.	DESCRIPTION	DATE	BY	CHK.
11	REVISED PER BOM #B21831	06/27/97	J.K.	J.C.F.
12	REVISED PER BOM #E2321	07/27/97	J.K.	J.C.F.
13	REVISED PER BOM #E2321	07/27/97	J.K.	J.C.F.
14	REVISED PER BOM #B24746	07/27/97	J.K.	J.C.F.

LD CNT.	AICL	AAP2
20	A	-
28	A	C
44	B	C
52	B	-
68	B	B
84	B	B

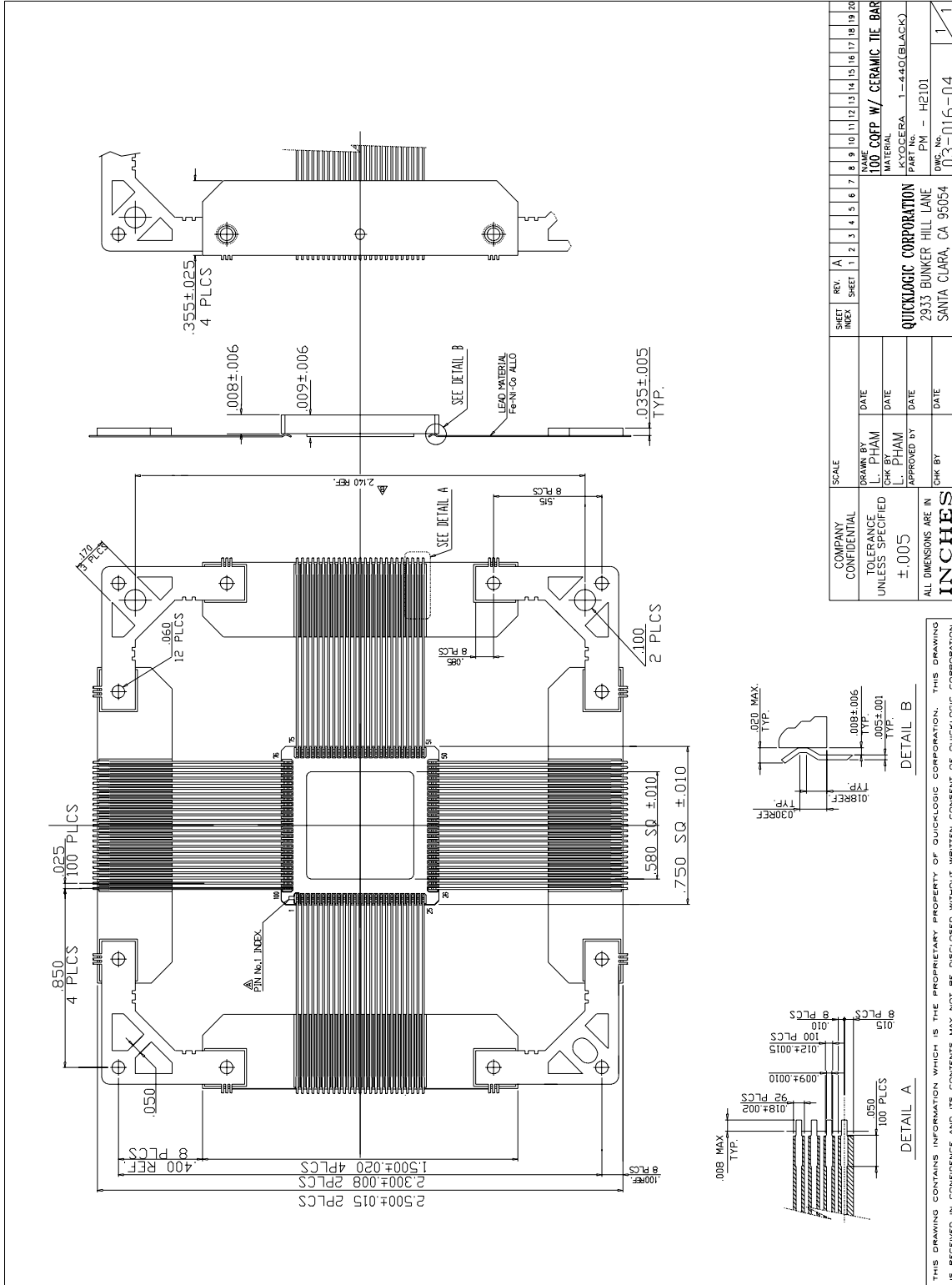
**NOTES:**

- ALL DIMENSIONS AND TOLERANCES CONFORM TO ANSI Y14.5M-1982.
- CONTROLLING DIMENSION: INCHES.
- TO BE DETERMINED AT SEATING PLANE [C-C].
- DIMENSIONS D1 AND E1 DO NOT INCLUDE MOLD FLASH OR PROTRUSIONS, BUT D1 INCLUDE MOLD MISMATCH AND ARE MEASURED AT THE MOLD PARTING LINE. MOLD FLASH OR PROTRUSIONS SHALL NOT EXCEED .008 PER WINDOW FLASH AND .010 CORNER FLASH.
- DATUMS [A-B] AND [D-E] TO BE DETERMINED WHERE CENTER LEADS EXIT PLASTIC BODY AT DATUM PLANE [H-H].
- 'N' IS NUMBER OF TERMINALS.
- FORMED LEADS SHALL BE PLANAR WITH RESPECT TO ONE ANOTHER WITHIN .003 INCHES.
- D7/E7 ARE FOR TOP SIDE MARKING PURPOSES.
- DATUM PLANE [H-H] LOCATED AT TOP OF MOLD PARTING LINE AND COINCIDENT WITH TOP OF LEAD, WHERE LEAD EXITS PLASTIC BODY.
- TOP EJECTOR PINS MAY BE PRESENT ON THE 44, 68, AND 84 LEAD PARTS AT AAP2.
- PACKAGE TOP DIMENSIONS MAY BE SMALLER THAN BOTTOM DIMENSIONS AND TOP OF PACKAGE WILL NOT OVERHANG BOTTOM OF PACKAGE.

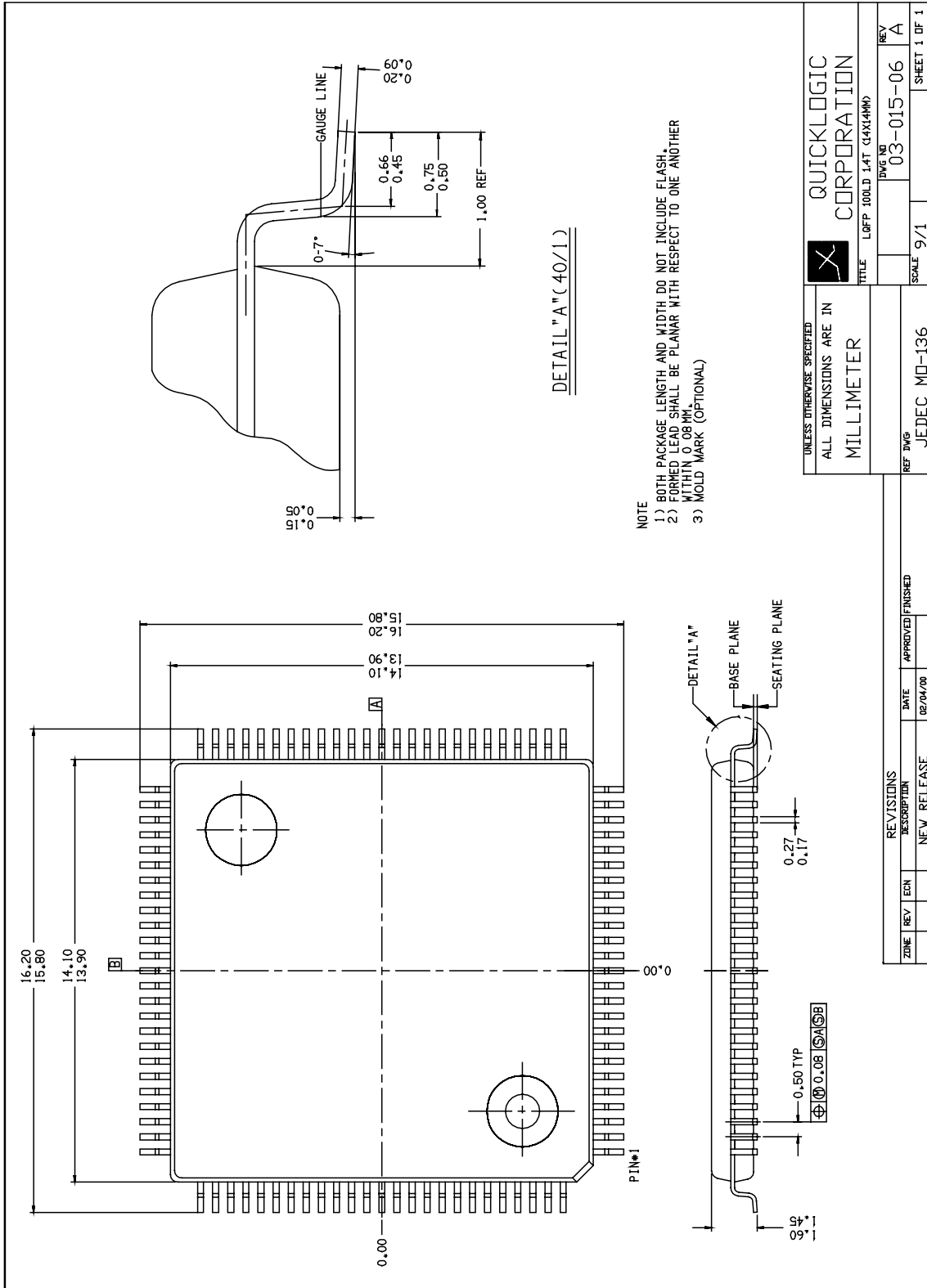
12. THIS PART IS COMPLIANT WITH JEDEC SPEC. MS-018 VARIATIONS AA, AB, AC, AD, AE, AND AF. THE LEAD WIDTH DIMENSION DOES NOT INCLUDE DAMBAR PROTRUSION. ALLOWABLE DAMBAR PROTRUSIONS SHALL BE .007 TOTAL IN EXCESS OF THE LEAD WIDTH DIMENSION AT MAXIMUM MATERIAL CONDITION. MINIMUM SPACE BETWEEN PROTRUSIONS AND ADJACENT LEAD TO BE .008

13. COUNTRY OF ORIGIN FEATURE WILL EITHER BE LOCATED IN THE LOWER LEFT CORNER OR UPPER RIGHT CORNER DUE TO TOOLING VARIATIONS; HOWEVER, THE LOWER LEFT CORNER LOCATION SHALL BE CONSIDERED STANDARD.

# 100 CQFP Mechanical Drawing



# 100 TQFP Mechanical Drawing

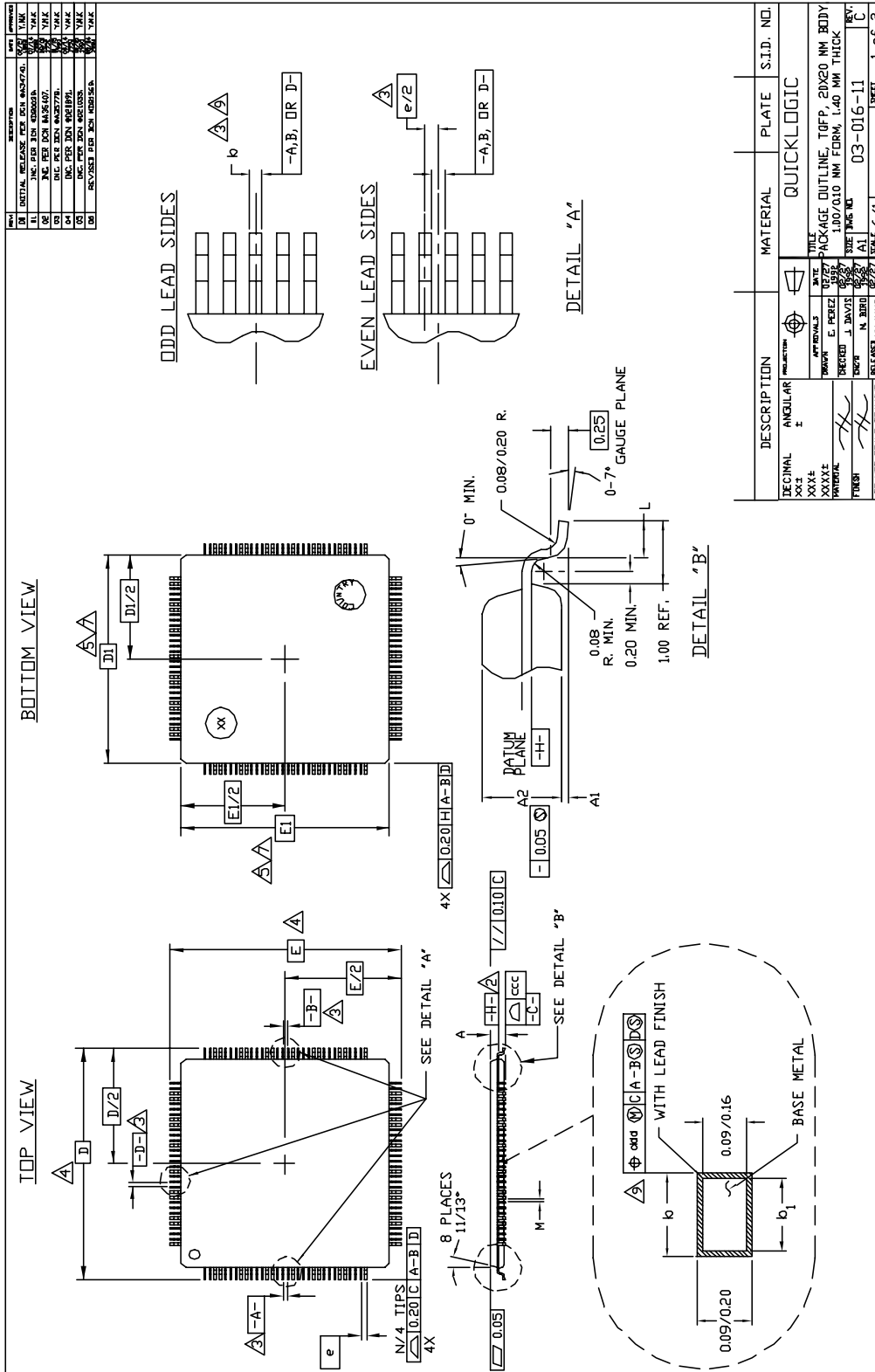


NOTE  
 1) BOTH PACKAGE LENGTH AND WIDTH DO NOT INCLUDE FLASH.  
 2) FORMED LEAD SHALL BE PLANAR WITH RESPECT TO ONE ANOTHER WITHIN 0.08 MM.  
 3) MOLD MARK (OPTIONAL)

UNLESS OTHERWISE SPECIFIED		QUICKLOGIC CORPORATION	
ALL DIMENSIONS ARE IN MILLIMETER		MILLIMETER	
TITLE	LOFP 100LD 1.4T (4X14MM)	DWG NO	03-015-06
SCALE	9/1	REV	A
REF DWG	JEDEC MO-136	SHEET 1 OF 1	

ZONE	REV	ECN	REVISIONS DESCRIPTION	DATE	APPROVED	FINISHED
			NEW RELEASE	02/04/00		

# 144 TQFP Packaging Drawing



# 144 TQFP Packaging Drawing (Continued)

**NOTES:**

1. ALL DIMENSIONING AND TOLERANCING CONFORM TO ANSI Y14.5-1982.
  2. DATUM PLANE  $\square\text{---}\square$  LOCATED AT MOLD PARTING LINE AND COINCIDENT WITH LEAD, WHERE LEAD EXITS PLASTIC BODY AT BOTTOM OF PARTING LINE.
  3. DATUMS  $\square\text{---}\square$  AND  $\square\text{---}\square$  TO BE DETERMINED AT CENTERLINE BETWEEN LEADS WHERE LEADS EXIT PLASTIC BODY AT DATUM PLANE  $\square\text{---}\square$ .
  4. TO BE DETERMINED AT SEATING PLANE  $\square\text{---}\square$ .
  5. DIMENSIONS D1 AND E1 DO NOT INCLUDE MOLD PROTRUSION, ALLOWABLE MOLD PROTRUSION IS 0.254 MM ON D1 AND E1 DIMENSIONS.
  6. "N" IS THE TOTAL NUMBER OF TERMINALS.
  7. THESE DIMENSIONS TO BE DETERMINED AT DATUM PLANE  $\square\text{---}\square$ .
  8. THE TOP OF PACKAGE IS SMALLER THAN THE BOTTOM OF PACKAGE BY 0.15 MILLIMETERS, AND THE TOP OF THE PACKAGE WILL NOT OVERHANG THE BOTTOM OF THE PACKAGE.
9. DIMENSION  $b_1$  DOES NOT INCLUDE DAMBAR PROTRUSION, ALLOWABLE DAMBAR PROTRUSION SHALL BE 0.08mm. TOTAL IN EXCESS OF THE  $b_1$  DIMENSION AT MAXIMUM MATERIAL CONDITION DAMBAR CANNOT BE LOCATED ON THE LOWER RADIIUS OR THE FOOT.
  10. CONTROLLING DIMENSION: MILLIMETER.
  11. MAXIMUM ALLOWABLE DIE THICKNESS TO BE ASSEMBLED IN THIS PACKAGE FAMILY IS 0.38 MILLIMETERS.
  12. THIS OUTLINE CONFORMS TO JEDEC PUBLICATION 95 REGISTRATION MO-136, VARIATION BT.

(JEDEC VARIATION)

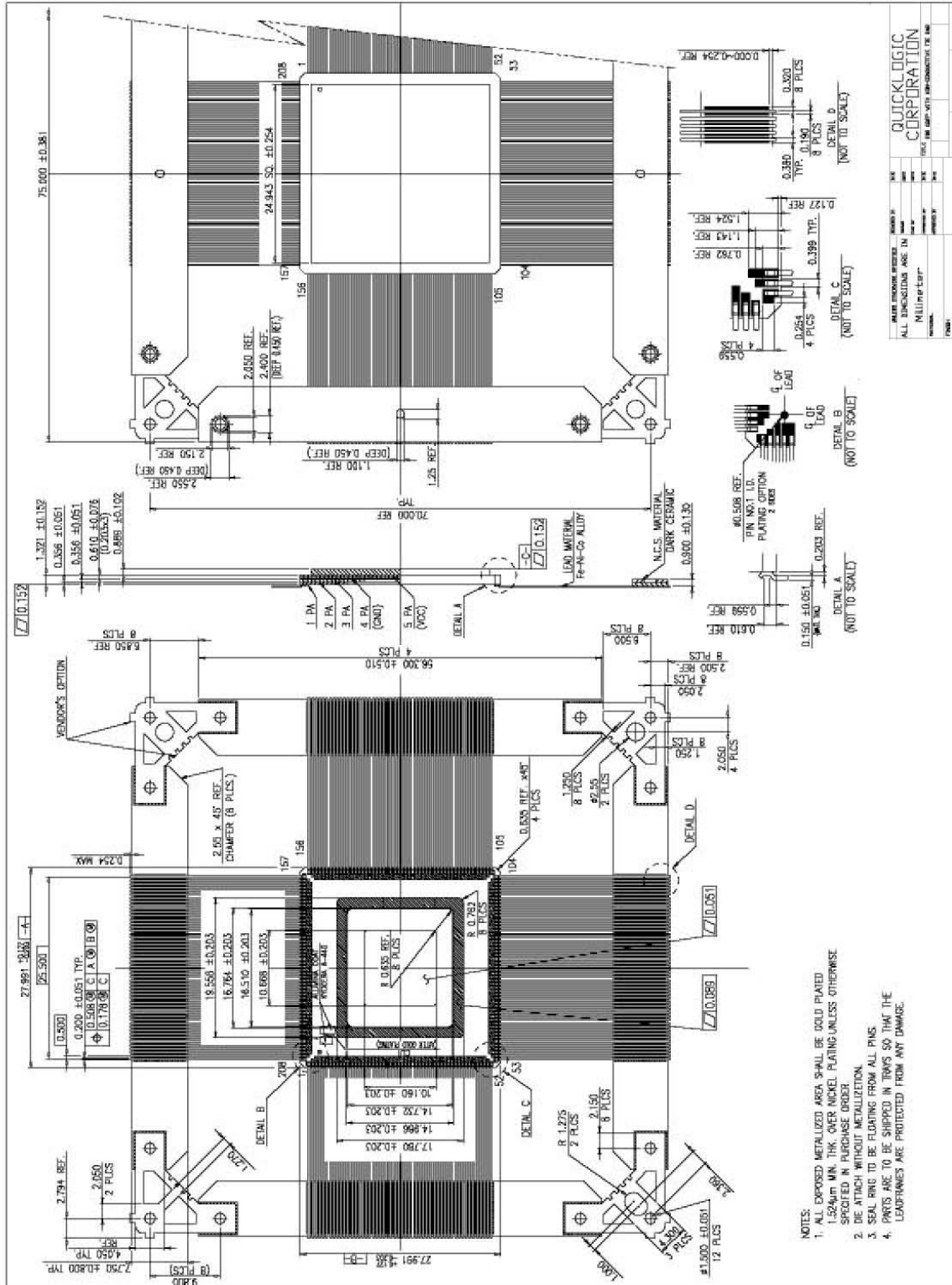
ALL DIMENSIONS IN MILLIMETERS

SYMBOL	BT			NOTE
	MIN.	NOM.	MAX.	
A	$\curvearrowright$	$\curvearrowright$	1.60	4
A1	0.05	0.10	0.15	
A2	1.35	1.40	1.45	
D	22.00 BSC.			7,8
D1	20.00 BSC.			
E	22.00 BSC.			4
E1	20.00 BSC.			
L	0.45	0.60	0.75	7,8
M	0.14	$\curvearrowright$	$\curvearrowright$	
N	*128, 144			9
e	0.50 BSC.			
b	0.17	0.22	0.27	9
b1	0.17	0.20	0.23	
ccc	$\curvearrowright$	$\curvearrowright$	0.08	9
ddd	$\curvearrowright$	$\curvearrowright$	0.08	

\* NOTE: THE 128 LEAD IS A COMPLIANT DEPOPULATION OF THE 144 LEAD MO-136 VARIATION BT.

REV. 03-016-11  
 DATE 04/05/11  
 PAGE 2 OF 2

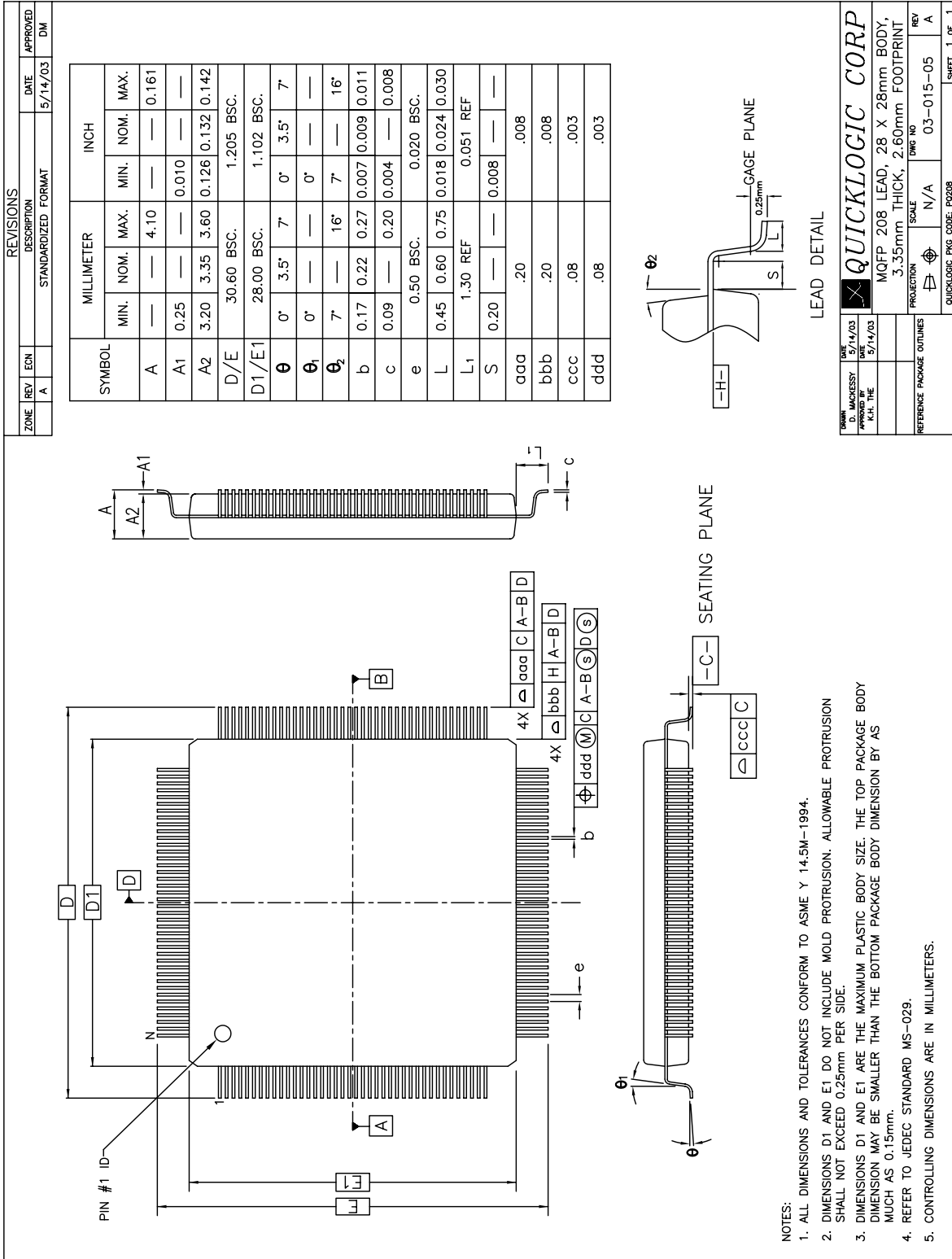
# 208 CQFP Mechanical Drawing



DATE	BY	CHKD	APP'D

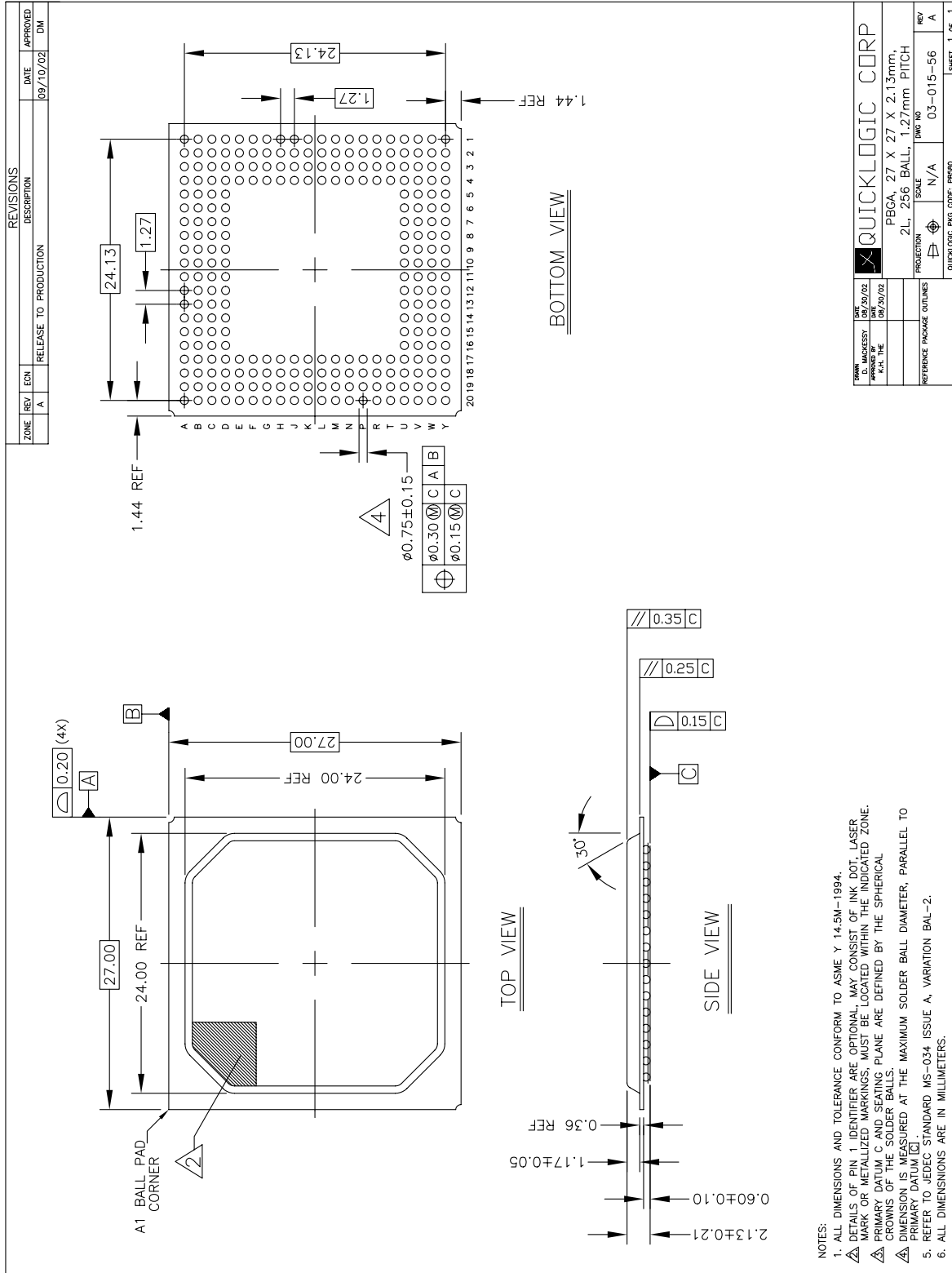
QUICKLOGIC CORPORATION  
FILE: 208 CQFP MTD 08/20/00/REV. 176.000

# 208 PQFP Mechanical Drawing





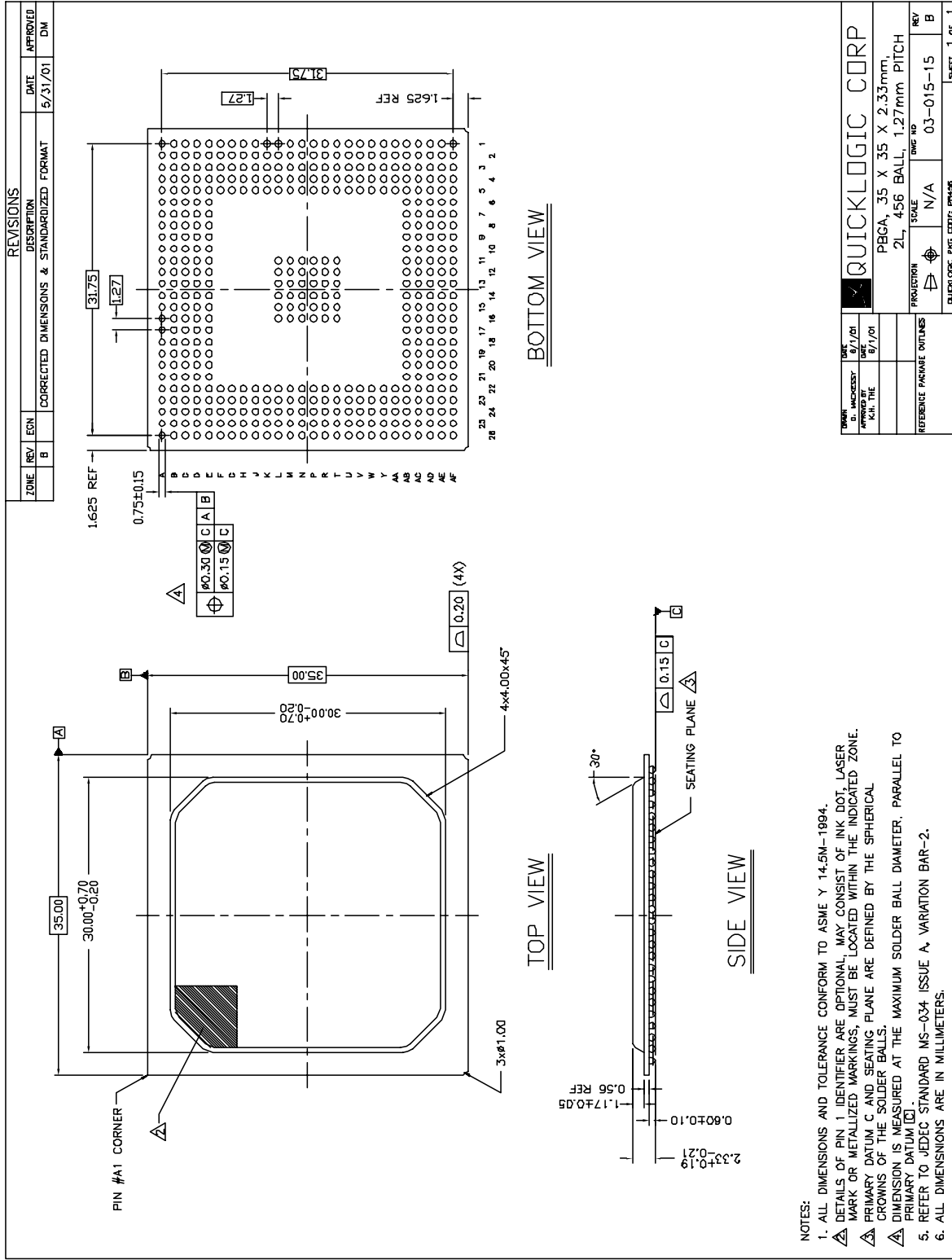
# 256 PBGA Mechanical Drawing



**NOTES:**

1. ALL DIMENSIONS AND TOLERANCE CONFORM TO ASME Y 14.5M-1994.
2. DETAILS OF PIN 1 IDENTIFIER ARE OPTIONAL, MAY CONSIST OF INK DOT, LASER MARK OR METALLIZED MARKINGS, MUST BE LOCATED WITHIN THE INDICATED ZONE.
3. PRIMARY DATUM C AND SEATING PLANE ARE DEFINED BY THE SPHERICAL CROWNS OF THE SOLDER BALLS.
4. DIMENSION IS MEASURED AT THE MAXIMUM SOLDER BALL DIAMETER, PARALLEL TO PRIMARY DATUM [C].
5. REFER TO JEDEC STANDARD MS-034 ISSUE A, VARIATION BAL-2.
6. ALL DIMENSIONS ARE IN MILLIMETERS.

# 456 PBGA Mechanical Drawing



DATE	9/7/01
APPROVED	9/7/01
PROJECTION	1 <sup>st</sup> ANGLE
SCALE	N/A
QUICKLOGIC P/N	456-015-15
REV	B
SHEET	1 OF 1

## Packaging Information

The QuickRAM product family packaging information is presented in **Table 26**.

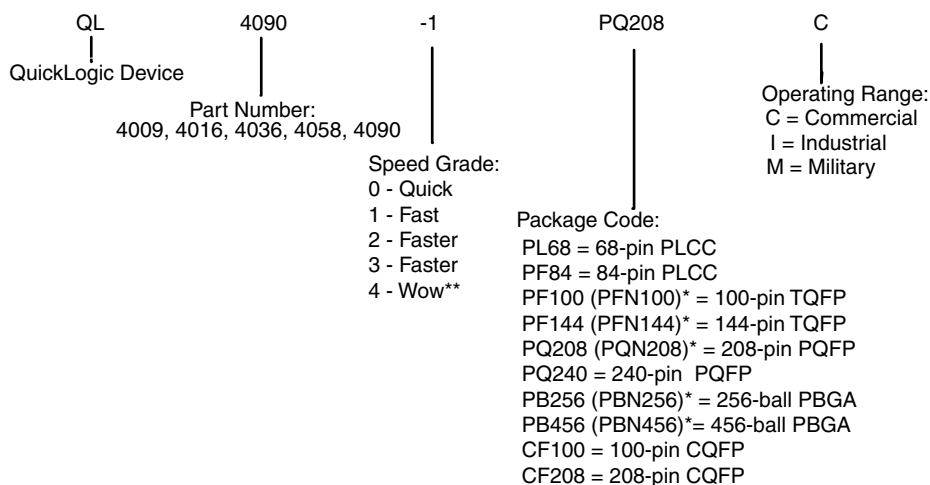
**NOTE:** Military temperature range plastic packages will be added as follow on products to the commercial and industrial products.

Table 26: Packaging Options

Device Information	Device									
	QL4009		QL4016		QL4036		QL4058		QL4090	
	Pin	Pitch	Pin	Pitch	Pin	Pitch	Pin	Pitch	Pin	Pin
Package Definitions <sup>a</sup>	68 PLCC	0.05 in.	84 PLCC	0.05 in.	144 TQFP	0.5 mm	208 PQFP	0.5 mm	208 PQFP	0.5 mm
	84 PLCC	0.05 in.	100 TQFP	0.5 mm	208 PQFP	0.5 mm	240 PQFP	0.5 mm	240 PQFP	0.5 mm
	100 TQFP	0.5 mm	144 TQFP	0.5 mm	256 PBGA	1.27 mm	456 PBGA	1.27 mm	456 PBGA	1.27 mm
	-	-	100 CQFP	0.025 in.	-	-	-	-	208 CQFP	0.5 mm

- a. PLCC = Plastic Leaded Chip Carrier
- PQFP = Plastic Quad Flat Pack
- PBGA = Plastic Ball Grid Array
- TQFP = Thin Quad Flat Pack
- CQFP = Ceramic Quad Flat Pack

## Ordering Information



\* Lead-free packaging is available, contact QuickLogic regarding availability (see Contact Information).

\*\* Contact QuickLogic regarding availability (see Contact Information)

## Contact Information

Phone: (408) 990-4000 (US)  
 (905) 940-4149 (Canada)  
 +(44) 1932 57 9011 (Europe)  
 +(86) 21 6867 0273 (Asia – except Japan)  
 +(81) 45 470 5525 (Japan)

E-mail: [info@quicklogic.com](mailto:info@quicklogic.com)

Sales: [www.quicklogic.com/sales](http://www.quicklogic.com/sales)

Support: [www.quicklogic.com/support](http://www.quicklogic.com/support)

Internet: [www.quicklogic.com](http://www.quicklogic.com)

## Revision History

Revision	Date	Originator and Comments
A through G	Not available	Not available
H	March 2002	Brian Faith and Andreea Rotaru
I	March 2005	Mehul Kochar and Kathleen Murchek
J	September 2005	Mehul Kochar and Kathleen Murchek Added lead free packaging information to Ordering Information section.
K	April 2006	Mehul Kochar and Kathleen Murchek Updated Max Gates row in Table 1: QuickRAM Product Family Members
L	May 2006	Kathleen Murchek Replaced pages 1 and 2 of 144-pin package drawing.
M	July 2007	Jason Lew and Kathleen Murchek Replaced 208-pin PQFP package drawing.

## Copyright and Trademark Information

Copyright © 2007 QuickLogic Corporation. All Rights Reserved.

The information contained in this document is protected by copyright. All rights are reserved by QuickLogic Corporation. QuickLogic Corporation reserves the right to modify this document without any obligation to notify any person or entity of such revision. Copying, duplicating, selling, or otherwise distributing any part of this product without the prior written consent of an authorized representative of QuickLogic is prohibited.

QuickLogic and the QuickLogic logo, ViaLink, QuickRAM, and QuickWorks are registered trademarks of QuickLogic Corporation; QuickTools and SpDE are trademarks of QuickLogic Corporation.

Verilog is a registered trademark of Cadence Design Systems, Inc.