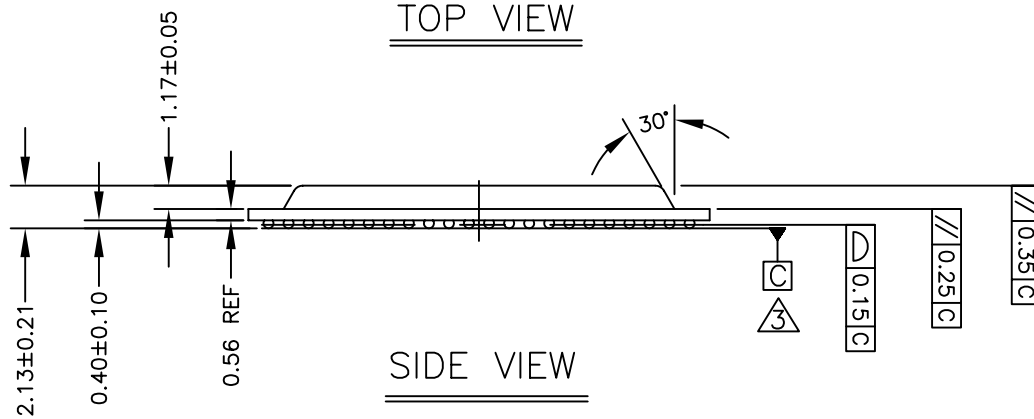
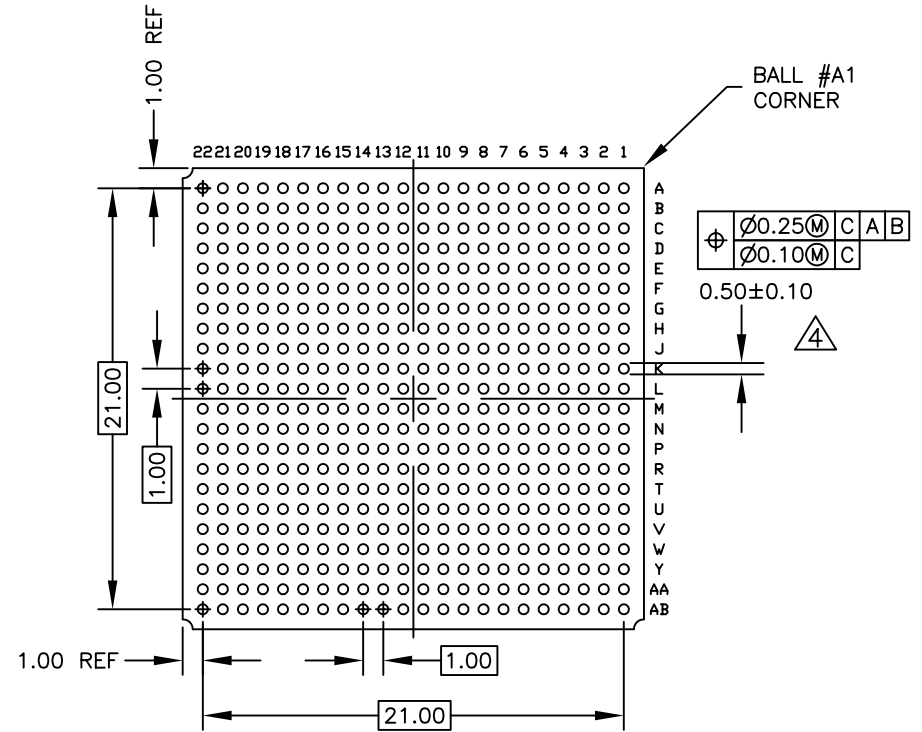
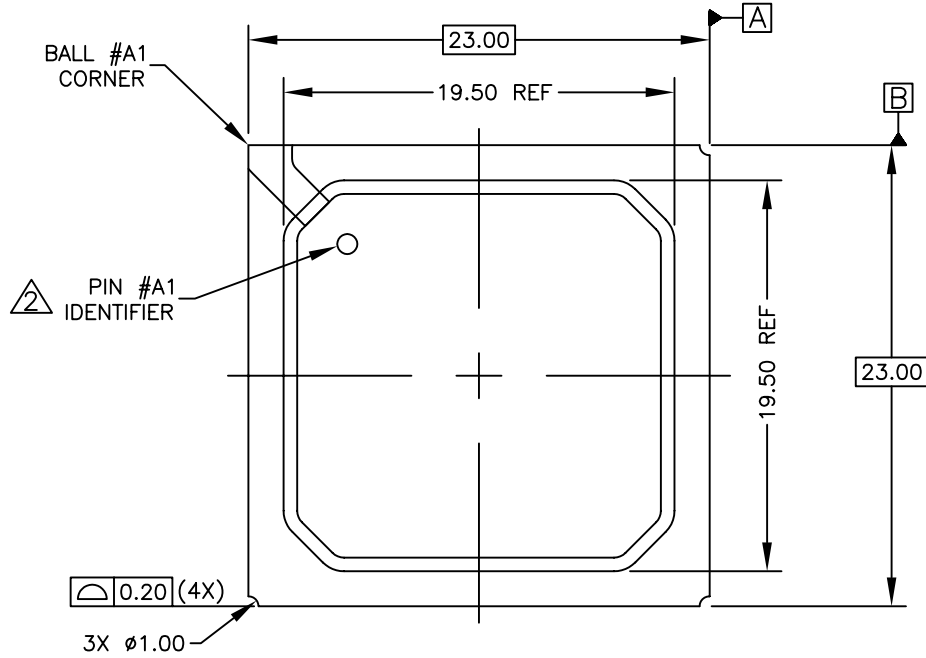


REVISIONS					
ZONE	REV	ECN	DESCRIPTION	DATE	APPROVED
	A		RELEASE TO ENGINEERING	05/14/03	DM



NOTES:

1. ALL DIMENSIONS AND TOLERANCES CONFORM TO ASME Y 14.5M-1994.
2. DETAILS OF PIN 1 IDENTIFIER ARE OPTIONAL, MAY CONSIST OF INK DOT, LASER MARK OR METALLIZED MARKINGS, MUST BE LOCATED WITHIN THE INDICATED ZONE.
3. PRIMARY DATUM C AND SEATING PLANE ARE DEFINED BY THE SPHERICAL CROWNS OF THE SOLDER BALLS.
4. DIMENSION IS MEASURED AT THE MAXIMUM SOLDER BALL DIAMETER, PARALLEL TO PRIMARY DATUM C.
5. REFER TO JEDEC STANDARD MS-034 ISSUE A, VARIATION AAJ-1.
6. ALL DIMENSIONS ARE IN MILLIMETERS.

DRAWN D. MACKESSY	DATE 5/14/03				
APPROVED BY K.H. THE	DATE 5/14/03				
REFERENCE PACKAGE OUTLINES		PROJECTION 	SCALE N/A	DWG NO 03-015-57	REV A
QUICKLOGIC PKG CODE: PS484				SHEET 1 OF 1	

PBGA, 23 X 23 X 2.13mm,  
4L, 484 BALL, 1.00mm PITCH