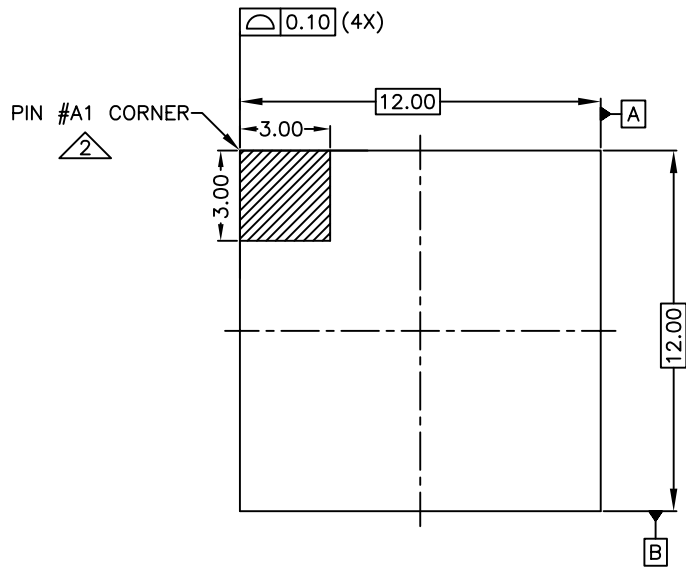
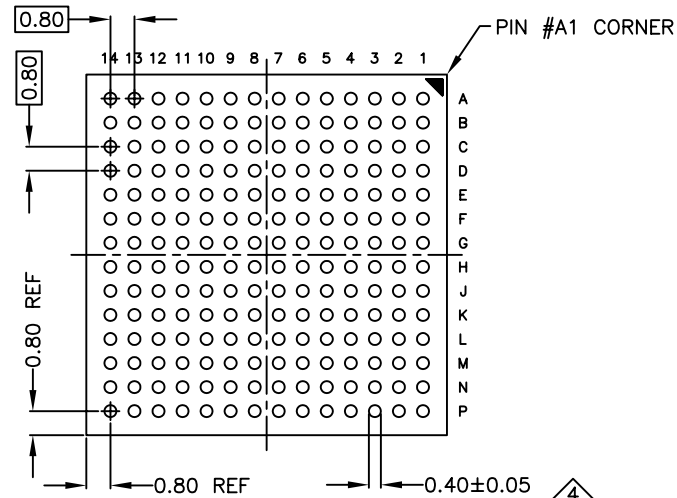


REVISIONS					
ZONE	REV	ECN	DESCRIPTION	DATE	APPROVED
	A		NEW RELEASE	5/13/03	DM

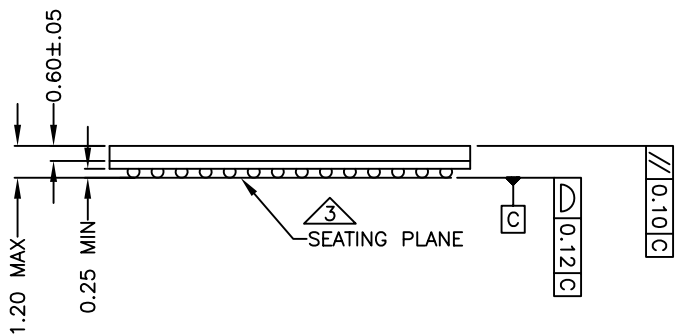


TOP VIEW



BOTTOM VIEW

⌀	⌀	0.15	M	C	A	B
		0.08	M	C		



SIDE VIEW

NOTES:

1. ALL DIMENSIONS AND TOLERANCES CONFORM TO ASME Y 14.5M-1994.
2. DETAILS OF PIN 1 IDENTIFIER ARE OPTIONAL, MAY CONSIST OF INK DOT, LASER MARK OR METALLIZED MARKINGS, MUST BE LOCATED WITHIN THE INDICATED ZONE.
3. PRIMARY DATUM C AND SEATING PLANE ARE DEFINED BY THE SPHERICAL CROWNS OF THE SOLDER BALLS.
4. DIMENSION IS MEASURED AT THE MAXIMUM SOLDER BALL DIAMETER, PARALLEL TO PRIMARY DATUM C.
5. REFER TO JEDEC STANDARD MO-216 ISSUE C.
6. ALL DIMENSIONS ARE IN MILLIMETERS.

DRAWN D. MACKESSY	DATE 5/14/03		<b>QUICKLOGIC CORP</b>		
APPROVED BY K.H. THE	DATE 5/14/03				
REFERENCE PACKAGE OUTLINES		PROJECTION 	SCALE N/A	DWG NO 03-015-59	REV A
QUICKLOGIC PKG CODE: PT196				SHEET 1 OF 1	