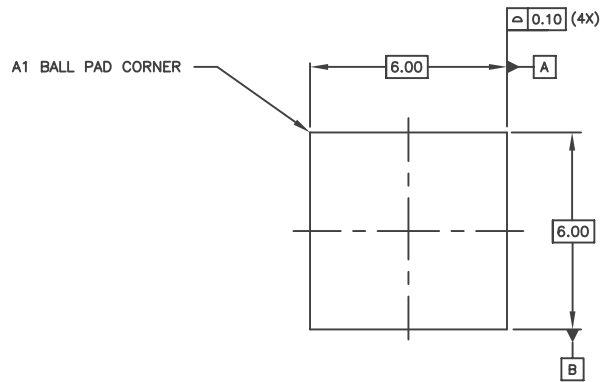
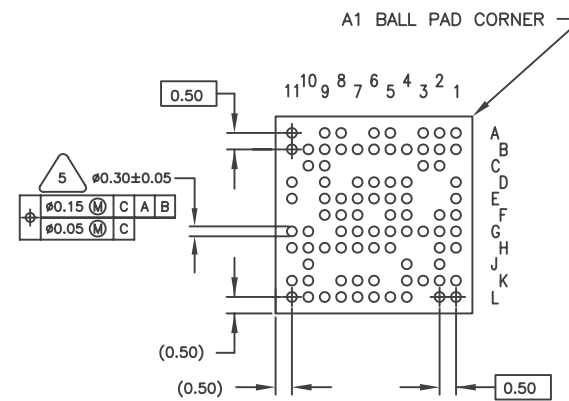


## REVISIONS

ZONE	REV	EDN	DESCRIPTION	DATE	APPROVED
	A	16486	NEW RELEASE	08/08/07	D. GASTELUM

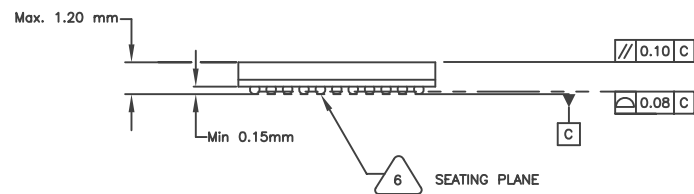


TOP VIEW



BOTTOM VIEW

86 SOLDER BALLS



SIDE VIEW

- 6. PRIMARY DATUM C AND SEATING PLANE ARE DEFINED BY THE SPHERICAL CROWNS OF THE SOLDER BALLS.
  - 5. DIMENSION IS MEASURED AT THE MAXIMUM SOLDER BALL DIAMETER, PARALLEL TO PRIMARY DATUM C.
  - 4. THE MAXIMUM ALLOWABLE NUMBER OF SOLDER BALLS IS 121.
  - 3. THE MAXIMUM SOLDER BALL MATRIX SIZE IS 11 X 11.
  - 2. THE BASIC SOLDER BALL GRID PITCH IS 0.50mm.
  - 1. ALL DIMENSIONS AND TOLERANCES CONFORM TO ASME Y14.5M-1994.
- NOTES: UNLESS OTHERWISE SPECIFIED

DRAWN D. GASTELUM	DATE 08/08/07	
APPROVED BY K.H. THE	DATE 08/08/07	
		TF-BGA, 6x6x1.20mm 2L, PU86 BALL, 0.50mm PITCH
PROJECTION 	SCALE N/A	DWG NO 03-015-89
REFERENCE PACKAGE OUTLINES	QUICKLOGIC PKG CODE: PU86	REV A
		SHEET 1 OF 1