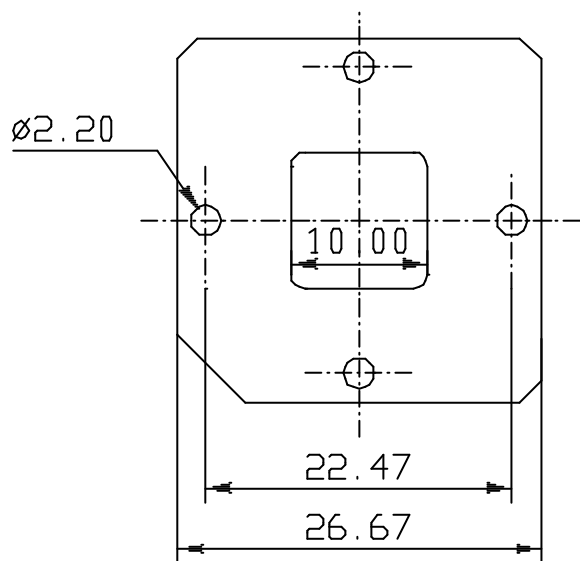
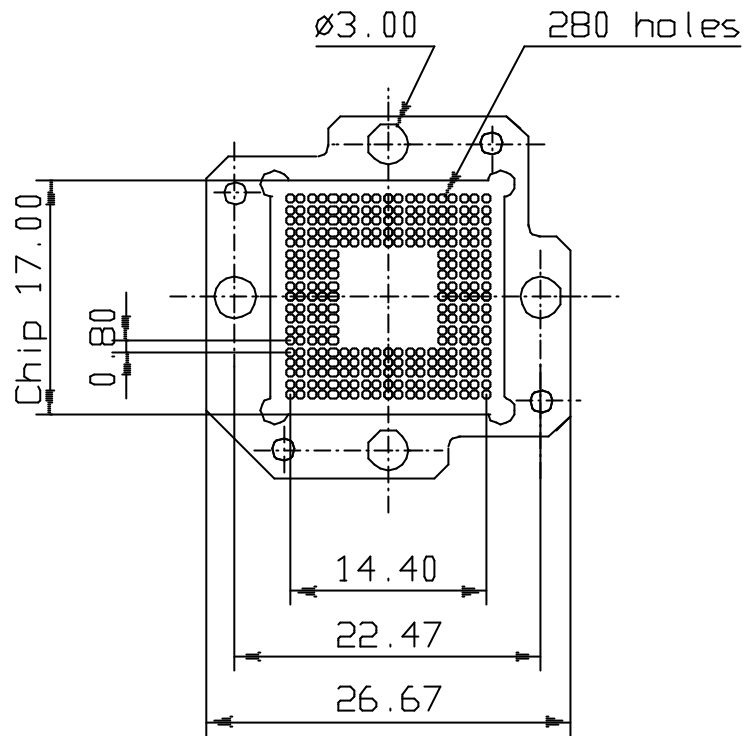


Socket



Retention frame

Rev	Description	Date	Patented <a href="http://www.e-tec.ch">http://www.e-tec.ch</a>		
1	Dimension old 25.04mm new 22.47mm -> basic 14	17.02.04	Drawn by :	Date :	17.02.04 LS
			Checked by :	General tolerances :	±0.10
			Distributed by :	Scale :	
			Distribution list		
BUW socket, 280 pins, pitch 0.80mm, matrix 19x19 retention frame chip 17x17 basic system 14					
BUW280-0830-19AB01					